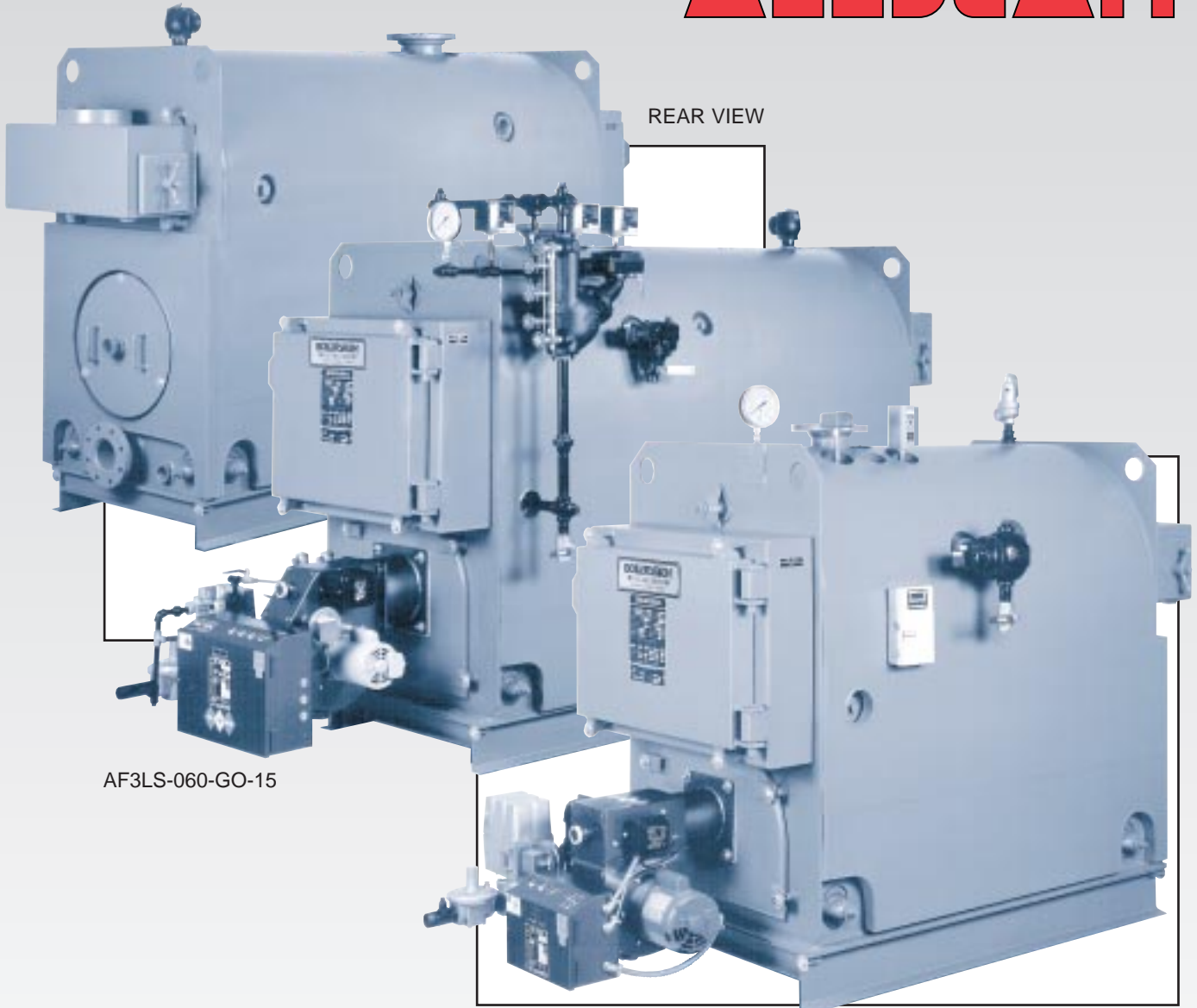


ALLSTAR



AF3LS-060-GO-15

AF3LW-030-G-30

AF3 SERIES

ADVANCED NARROW
WIDTH DESIGN FROM
CANADA'S BOILER MAKER

PACKAGED
FIRETUBE
DESIGN

15#S
30#W

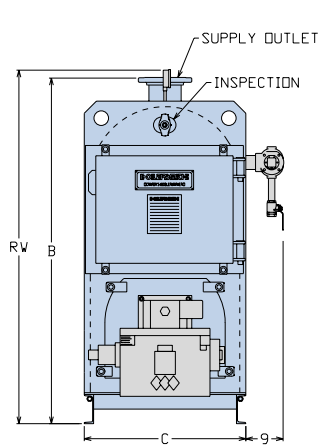
SUPERIOR
PERFORMANCE

AF3 ALLSTAR SERIES

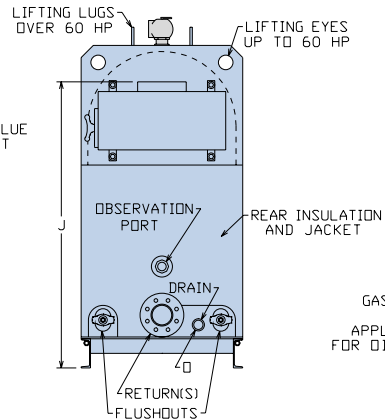
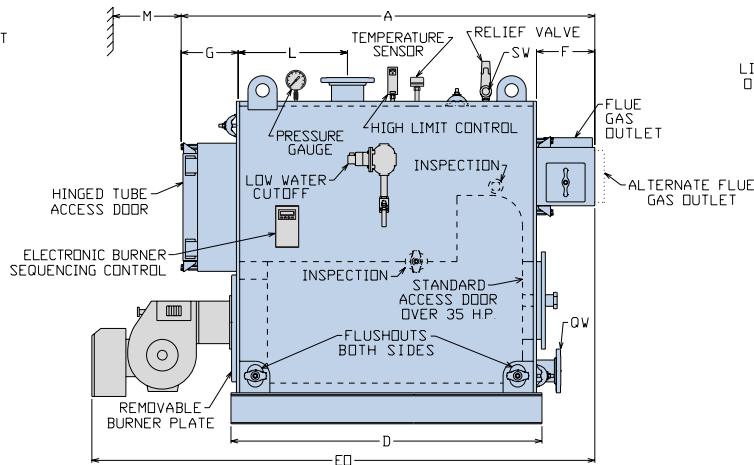
HIGH
OUTPUT

30 TO
175 HP

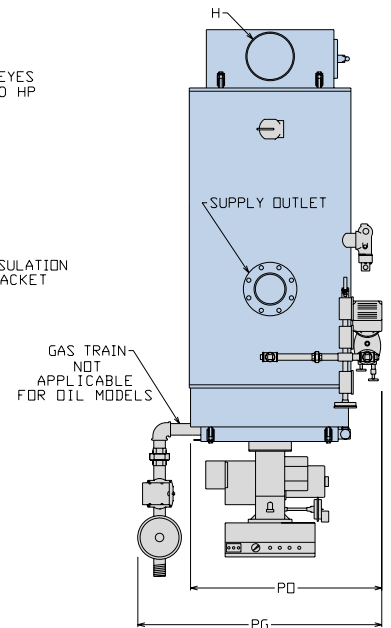
ADVANCED PACKAGED STEEL BOILERS



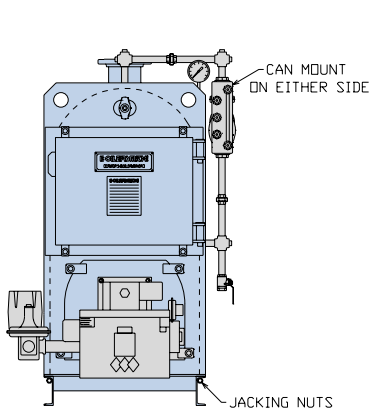
VIEW SHOWING OIL BURNER AND HOT WATER TRIM



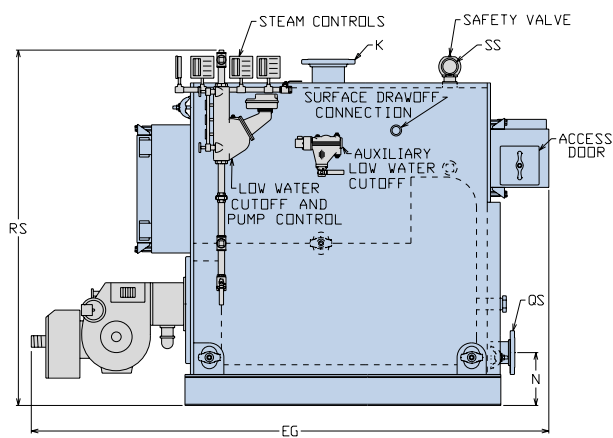
REAR VIEW



TOP (PLAN) VIEW
(GAS BURNER/
STEAM TRIM)



VIEW SHOWING GAS BURNER AND STEAM TRIM



GAS FIRED
•
OIL FIRED
•
GAS/OIL FIRED

MODEL No. DESIGNATION
AF3LW - 50 - G - 30

HORSEPOWER: 50
DESIGN PRESSURE: 15 PSIG STEAM, 30 PSIG WATER

LS - LOW PRESSURE STEAM
LW - LOW PRESSURE WATER
O - OIL FUEL
G - GAS FUEL
GO - GAS/OIL FUEL
P - PROPANE

15# STEAM AF3 ALLSTAR SERIES SPECIFICATIONS 30# WATER

	30	35	40	50	60	70	80	100	125	140	160	175
HORSEPOWER	30	35	40	50	60	70	80	100	125	140	160	175
GROSS OUTPUT MBH	1004	1172	1339	1674	2008	2343	2678	3347	4184	4686	5365	5858
FIRING RATE INPUT GAS MBH	1210	1412	1613	2017	2419	2823	3227	4033	5041	5646	6453	7058
FIRING RATE INPUT OIL USGPH	8.64	10.1	11.5	14.4	17.3	20.2	23.0	28.8	36.0	40.3	46.1	50.4
WATER CAPACITY FULL IMP GAL	160	180	203	265	277	307	305	338	375	418	461	500
WATER CAPACITY NWL IMP GAL	138	155	175	192	229	266	233	274	305	340	376	408
SHIPPING WEIGHT LBS	3950	4250	4550	5100	5700	6300	6450	6900	7500	8200	8800	9350

ALL DIMENSIONS WITHOUT FRACTIONS ARE TO THE NEAREST INCH

GENERAL	30	35	40	50	60	70	80	100	125	140	160	175
A BARE BOILER LENGTH	76	82	89	95	108	123	104	112	120	132	142	151
B BARE BOILER HEIGHT	71	71	71	71	71	71	82	82	82	82	82	82
C BARE BOILER WIDTH	33 3/4	33 3/4	33 3/4	33 3/4	33 3/4	33 3/4	37 1/4	37 1/4	37 1/4	37 1/4	37 1/4	37 1/4
D BASE LENGTH	56	62	69	75	88	101	79	86	95	105	115	125
ED OVERALL LENGTH OIL	92	98	105	113	126	141	127	135	143	164	174	183
EG OVERALL LENGTH GAS	96	102	109	119	132	147	133	141	149	170	180	189
F REAR F B. DEPTH	12	12	12	12	12	14	16	16	16	18	18	18
G FRONT F B. DEPTH	11	11	11	11	11	11	12	12	12	12	12	12
H FLUE GAS OUTLET DIAMETER	8	10	10	10	10	12	12	14	14	16	16	16
J FLUE GAS OUTLET LOCATION	59	59	59	59	59	59	70	70	70	70	70	70
K SUPPLY SIZE (150# FLG)	4	4	6	6	6	6	6	6	8	8	8	8
L SUPPLY LOCATION	16	20	24	24	24	24	22	22	28	28	28	28
M TUBE REMOVAL	43	49	56	62	75	88	65	73	81	91	101	110
N RETURN LOCATION	11	11	11	11	11	11	11	11	11	11	11	11
D DRAIN SIZE	1.5	1.5	1.5	1.5	1.5	1.5	1.5	1.5	1.5	1.5	1.5	1.5
PD OVERALL WIDTH OIL	44	44	44	44	44	44	45	45	45	45	45	45
PG OVERALL WIDTH GAS	50	50	50	51	51	51	51	51	51	57	57	57
FOR LOWER OUTPUTS SEE OTHER SERIES												
FOR HIGHER OUTPUTS SEE OTHER SERIES												
WATER												
QV RETURN SIZE*	4	4	4	4	4	4	4	4	4.84	4.84	4.84	4.84
RW OVERALL HEIGHT	73	75	75	75	76	76	86	89	89	89	86	89
SV RELIEF VALVE OUTLET SIZE	1.25	1.5	1.5	1.5	2	2	2	2.5	2.5	2.5	2, 2	1, 2.5

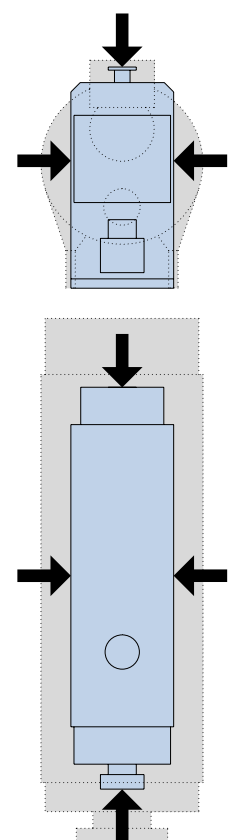
NOTE: OTHER HOT WATER MODELS AVAILABLE WITH REDUCED HEIGHT OR HIGHER PRESSURES - DATA SHOWN IS FOR STANDARD 15#S/30#W MODELS

STEAM	30	35	40	50	60	70	80	100	125	140	160	175
QS RETURN SIZE	1	1	1	1	2	2	2	2	2	2	2	2
RS OVERALL HEIGHT	72	72	72	72	72	72	84	84	84	86	86	86
SS SAFETY VALVE OUTLET SIZE	2	2	2.5	2.5	2.5	2.5	2.5	2.5	2.5	3	3	3

*TWIN RETURN ON SIZES 125 HP AND OVER.
WIDTHS SHOWN REFLECT STANDARD 2" SHELL INSULATION.
CONNECTIONS 4" AND LARGER ARE 150# FLANGES, ALL OTHERS ARE THREADED.
TWO STAGE LO-HI-LO-OFF FIRING IS STANDARD.
LISTED BY UNDERWRITERS' LABORATORIES OF CANADA WITH SELECTED BURNERS.

FULLY MODULATED FIRING IS AVAILABLE.
WE ASSUME NO RESPONSIBILITY FOR ERRORS IN DATA.
CERTIFIED DIMENSIONS, SPECIFICATIONS AND DRAWINGS ARE AVAILABLE ON REQUEST.
BUILT TO ASME CODE SEC. IV AND CSA CODE B51.

SLIM LINE



SAVES
FLOOR SPACE

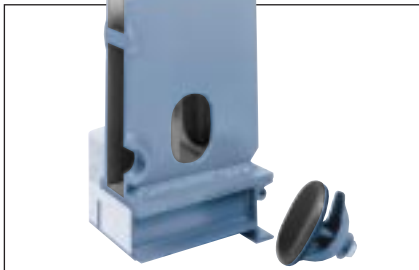
AF3 ALLSTAR SERIES

THE ALLSTAR ADVANTAGE

- * MANY ADVANCED FEATURES *
- * AND THOUGHTFUL DETAILS *

- HERE ARE A FEW HIGHLIGHTS -

- Advanced STEEL design
- High output firetube configuration
- Heavy-duty, first-class materials
- Factory test-fired
- Fully assembled
- Lower parts costs
- Minimal service costs
- Engineered to last
- Equipped with premium, packaged, FORCED DRAFT burners
- "Off the shelf" components
- Excellent overall plant efficiency
- Skillfully crafted to our high standards
- Built for quick easy service and maintenance



- REAL boiler construction
- Outstanding inspection accessibility
- Durable, WETBACK firebox
- New thicker 2-layer floor

OPTIONS AND ALTERNATIVES

- We specialize in customizing your boiler. The Allstar can be equipped to suit a wide variety of installations and specifications. We will help direct you to the most cost-effective models and features.



STANDARD STEAM TRIM

- Safety valve(s)
- Water glass set
- Pressure gauge
- Gauge cock
- Pressuretrol line drain
- Trycocks
- Pressuretrol - high limit safety
- Pressuretrol - operating
- Pressuretrol - high fire control
- McDonnell Miller 157 low water cutoff and pump control c/w water column blowdown valve
- McDonnell Miller 767 auxiliary low water cutoff control c/w blowdown valve

SLIMLINE DIMENSIONS

- Space-saving
- Created with extensive design experience
- High quality - exceptional value

STANDARD HOT WATER TRIM

- Relief valve(s)
- Water temperature indicator and water pressure indicator
- Operating temperature control
- High limit temperature control
- High fire temperature control
- McDonnell Miller 764 low water cutoff c/w blowdown valve

BOILERSMITH^{CO}
■ CANADA'S BOILER MAKER ■

Represented by:

P.O. Box 70, 156 Main Street South
Seaforth, Ontario N0K 1W0
Tel: (519) 527-0600 Fax: (519) 527-0150
Bulletin No. CAD 1AF3-15-06M-98

Printed in Canada on Recycled Paper

