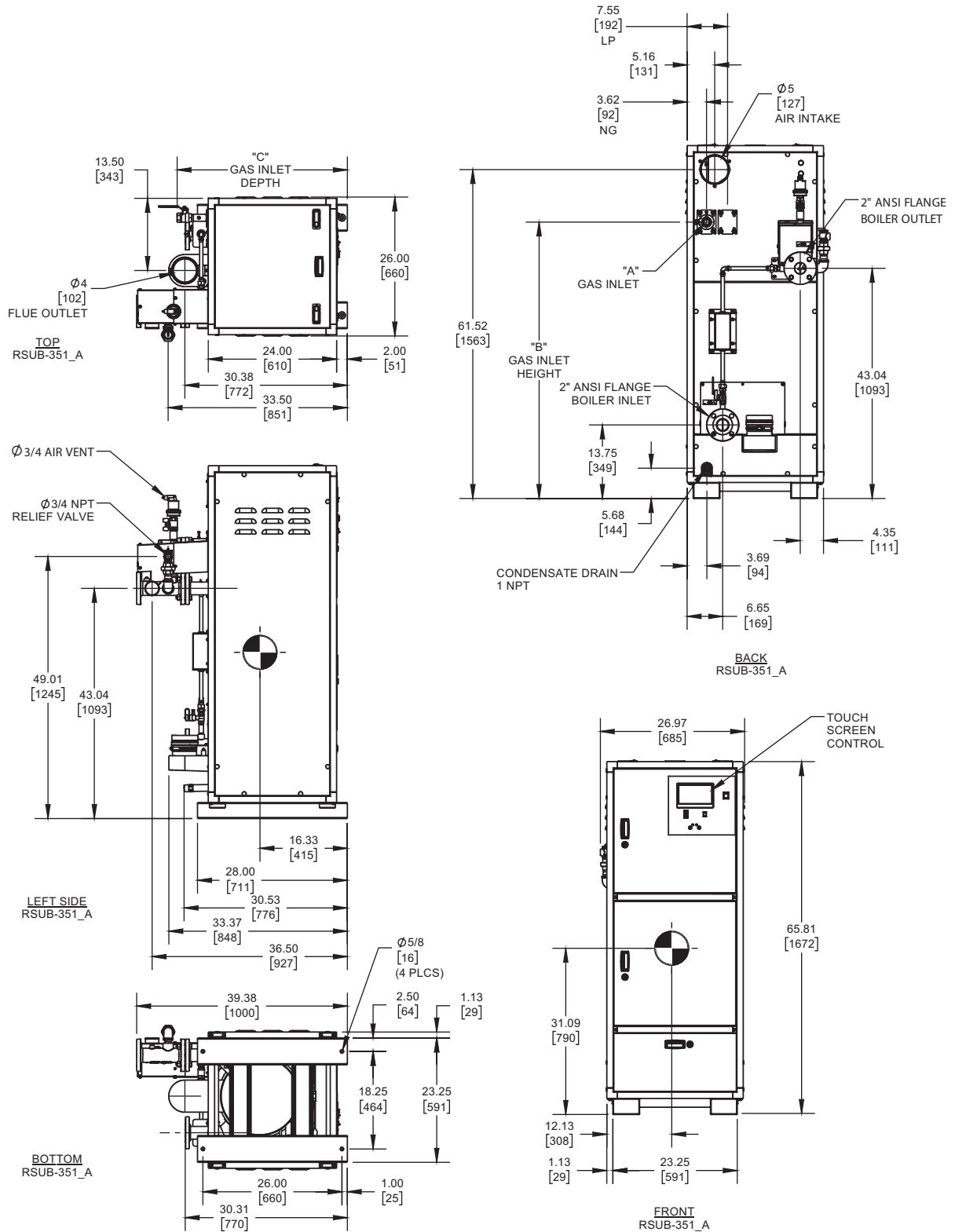


ENCORE 350


Category II or Category IV Appliance
(see Installation and Operation Manual for venting information)

INDOOR UNIT



GAS OPTION	"A"	"B"	kPa
NG	1 NPT	51.70	31.82
LP	3/4 NPT	51.70	31.91

Notes:

1. Dimensions are approximate and should not be used to "rough-in" equipment.
2. Dimensions are subject to change without notice.
3. All dimensions are in inches [mm].
4.  Symbol indicates center of gravity.

BOILER CERTIFIED RATINGS & CAPACITIES

Fuel Type	Natural/Propane Gas	Boiler FLA	11.2*
Input BTU/hr.	349,000 / 102 KW	Boiler HP	10.2
Output BTU/hr.	342,020 / 100 KW	Min. Gas Pressure Required	4" W.C.
Electrical Requirements	120 VAC/60 Hz/1PH (with neutral)	Max. Gas Pressure Allowed	14" W.C.
		Operating Weight	612 lbs. / 277.6 kg.

BOILER TRIM & CONTROLS

Main Gas Valve	Dungs MBC	Air Switch	Huba
Ignition Control	Fenwal	Flow Sensor	SIKA
Operating Control	HeatNet®	Blocked Flue Switch	Cleveland NS2
High Limit	Jumo	Blower Motor	Ametek
Relief Valve	3/4" x 3/4" set @ 50 psi	L.W.C.O.	800

A.S.M.E.

ASME Sect IV Fire Side Htg Surface	55.31 Sq. Ft. / 5.13 Sq. M.	Design Data	Max. 160 psig & 210°F
ASME Sect IV Water Side Htg Surface	77.72 Sq. Ft. / 7.22 Sq. M.	Water Volume	13.4 gal. / 50.7 Liters

* Add circulator amps.

BOILER TEMPERATURE RISE / PRESSURE DROP (Based on Full Input)

20°F / 11.1°C				30°F / 16.7°C				40°F / 22.2°C				50°F / 27.8°C				60°F / 33.3°C			
Flow Rate		Pressure Drop		Flow Rate		Pressure Drop		Flow Rate		Pressure Drop		Flow Rate		Pressure Drop		Flow Rate		Pressure Drop	
GPM	L/s	Ft	kPa	GPM	L/s	Ft	kPa	GPM	L/s	Ft	kPa	GPM	L/s	Ft	kPa	GPM	L/s	Ft	kPa
34.2	2.2	3.3	9.9	22.8	1.4	2.7	8.1	17.1	1.1	2.5	7.3	13.7	0.9	2.3	6.9	11.4	0.7	2.2	6.6

Flow GPM				Temp. Rise** (°F)				Vent Length (Equiv. Ft.)				Air Inlet Length (Equiv. Ft.)			
Min		Max		Min		Max		Min		Max		Min		Max	
11.4		34.2		20		60		6		100		0		100	

** Min/Max delta t reflects boiler operation at full input. For applications requiring operation above/below these parameters please consult factory.

REP FIRM	_____
SUBMITTED BY	_____
JOB NAME	_____
ARCHITECT	_____
ENGINEER	_____
CONTRACTOR	_____
DATE	_____

ENCORE 350

Category II or Category IV Appliance
(see Installation and Operation Manual for venting information)

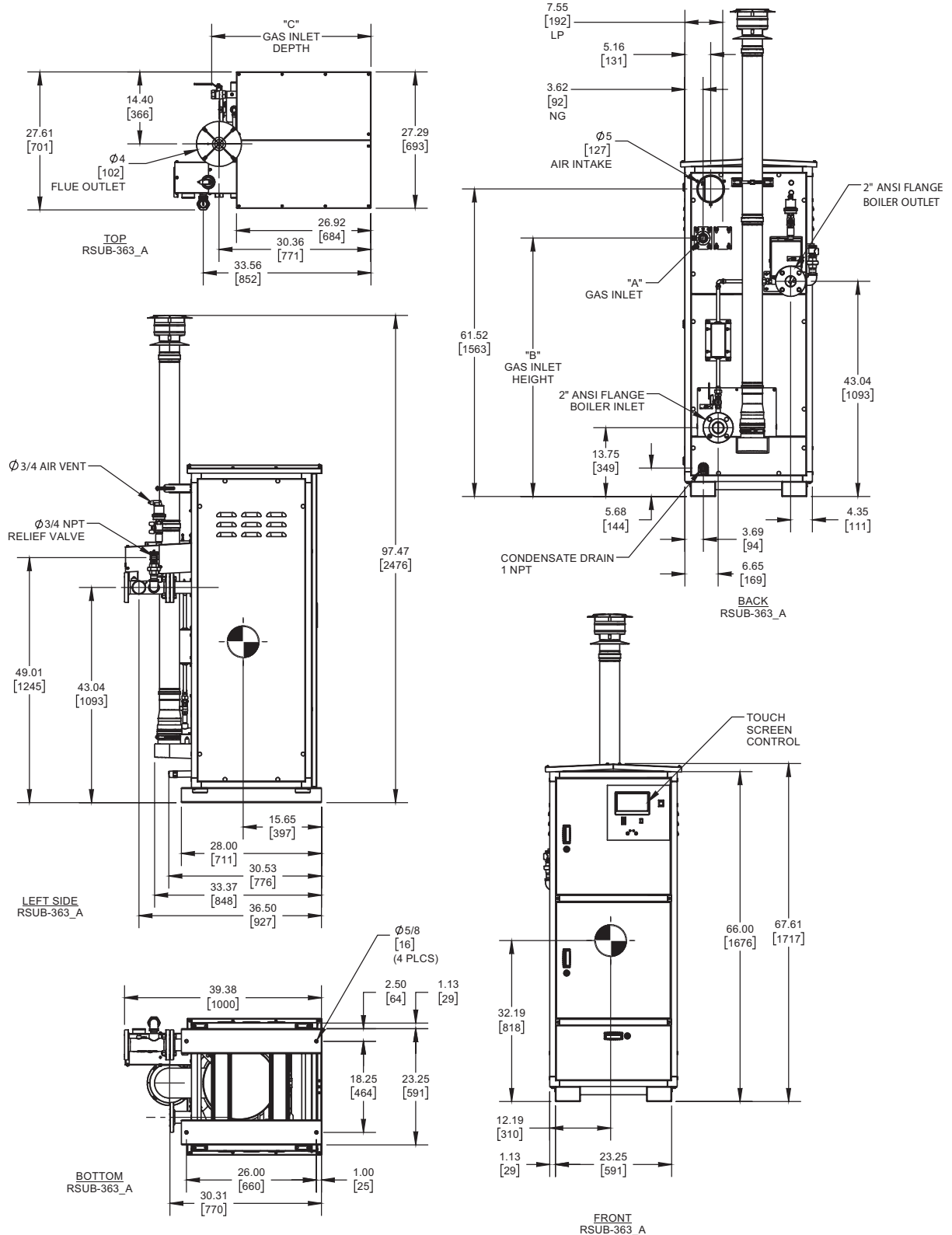


A Division of Mestek, Inc.
Westfield, MA 01085
(413) 564-5515

ENCORE 350

Category II or Category IV Appliance
(see Installation and Operation Manual for venting information)

OUTDOOR UNIT



GAS OPTION	"A"	"B"	kPa
NG	1 NPT	51.70	31.82
LP	3/4 NPT	51.70	31.91

- Notes:**
1. Dimensions are approximate and should not be used to "rough-in" equipment.
 2. Dimensions are subject to change without notice.
 3. All dimensions are in inches (mm).
 4. Symbol indicates center of gravity.

BOILER CERTIFIED RATINGS & CAPACITIES

Fuel Type	Natural/Propane Gas	Boiler FLA	11.2*
Input BTU/hr.	349,000 / 102 KW	Boiler HP	10.2
Output BTU/hr.	342,020 / 100 KW	Min. Gas Pressure Required	4" W.C.
Electrical Requirements	120 VAC/60 Hz/1PH (with neutral)	Max. Gas Pressure Allowed	14" W.C.
		Operating Weight	612 lbs. / 277.6 kg.

BOILER TRIM & CONTROLS

Main Gas Valve	Dungs MBC	Air Switch	Huba
Ignition Control	Fenwal	Flow Sensor	SIKA
Operating Control	HeatNet®	Blocked Flue Switch	Cleveland NS2
High Limit	Jumo	Blower Motor	Ametek
Relief Valve	3/4" x 3/4" set @ 50 psi	L.W.C.O.	800

A.S.M.E.

ASME Sect IV Fire Side Htg Surface	55.31 Sq. Ft. / 5.13 Sq. M.	Design Data	Max. 160 psig & 210°F
		Water Volume	13.4 gal. / 50.7 Liters
ASME Sect IV Water Side Htg Surface	77.72 Sq. Ft. / 7.22 Sq. M.		

* Add circulator amps.

BOILER TEMPERATURE RISE / PRESSURE DROP (Based on Full Input)

20°F / 11.1°C				30°F / 16.7°C				40°F / 22.2°C				50°F / 27.8°C				60°F / 33.3°C			
Flow Rate		Pressure Drop		Flow Rate		Pressure Drop		Flow Rate		Pressure Drop		Flow Rate		Pressure Drop		Flow Rate		Pressure Drop	
GPM	L/s	Ft	kPa	GPM	L/s	Ft	kPa	GPM	L/s	Ft	kPa	GPM	L/s	Ft	kPa	GPM	L/s	Ft	kPa
34.2	2.2	3.3	9.9	22.8	1.4	2.7	8.1	17.1	1.1	2.5	7.3	13.7	0.9	2.3	6.9	11.4	0.7	2.2	6.6

Flow GPM				Temp. Rise** (°F)				Vent Length (Equiv. Ft.)				Air Inlet Length (Equiv. Ft.)			
Min		Max		Min		Max		Min		Max		Min		Max	
11.4		34.2		20		60		6		100		0		100	

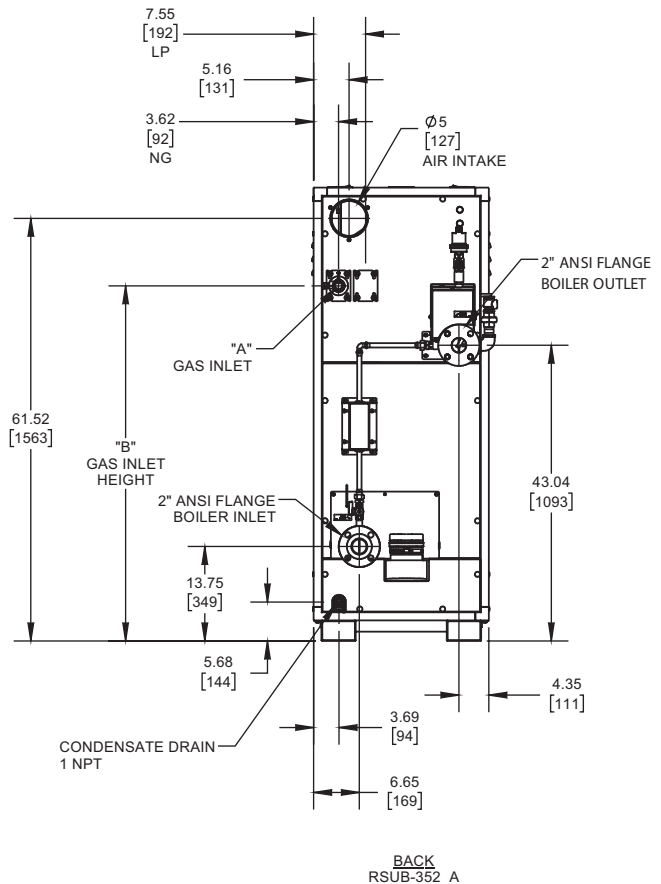
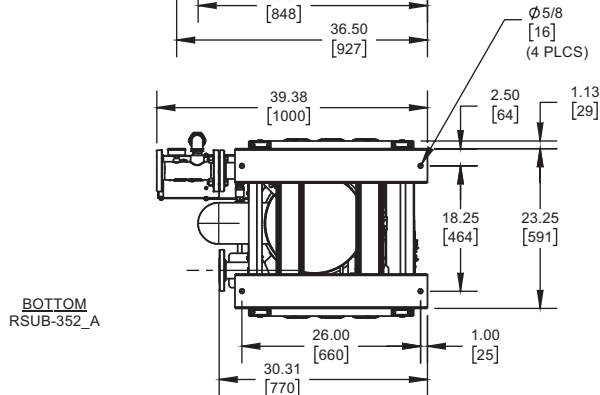
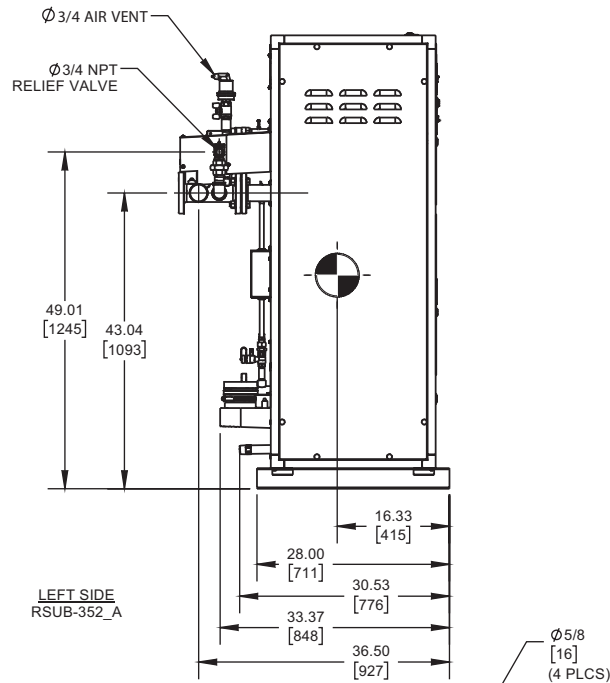
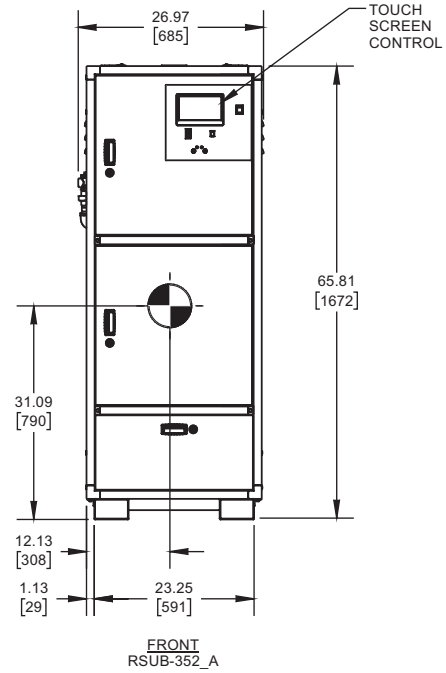
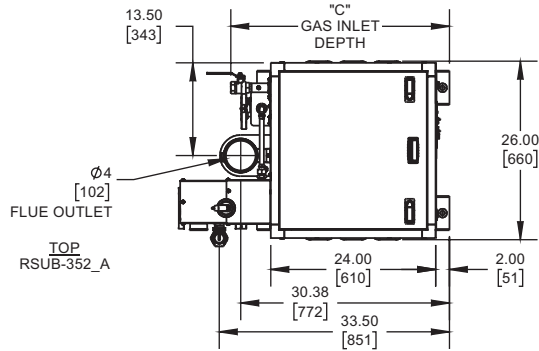
** Min/Max delta t reflects boiler operation at full input. For applications requiring operation above/below these parameters please consult factory.

<p>REP FIRM _____</p> <p>SUBMITTED BY _____</p> <p>JOB NAME _____</p> <p>ARCHITECT _____</p> <p>ENGINEER _____</p> <p>CONTRACTOR _____</p> <p>DATE _____</p>	<div style="background-color: black; color: white; padding: 5px; font-weight: bold; font-size: 1.2em;">ENCORE 350</div> <p>Category II or Category IV Appliance (see Installation and Operation Manual for venting information)</p> <div style="text-align: center;">  <p>RBI® A Division of Mestek, Inc. Westfield, MA 01085 (413) 564-5515</p> <p>RELIABLE. BOLD. INNOVATIVE.</p> </div>
---	--

ENCORE 400

Category II or Category IV Appliance
(see Installation and Operation Manual for venting information)

INDOOR UNIT



GAS OPTION	"A"	"B"	kPa
NG	1 NPT	51.70	31.82
LP	3/4 NPT	51.70	31.91

Notes:

1. Dimensions are approximate and should not be used to "rough-in" equipment.
2. Dimensions are subject to change without notice.
3. All dimensions are in inches [mm].
4. ● Symbol indicates center of gravity.

BOILER CERTIFIED RATINGS & CAPACITIES

Fuel Type	Natural/Propane Gas	Boiler FLA	11.2*
Input BTU/hr.	399,000 / 117 KW	Boiler HP	11.7
Output BTU/hr.	391,818 / 115 KW	Min. Gas Pressure Required	4" W.C.
Electrical Requirements	120 VAC/60 Hz/1PH (with neutral)	Max. Gas Pressure Allowed	14" W.C.
		Operating Weight	612 lbs. / 277.6 kg.

BOILER TRIM & CONTROLS

Main Gas Valve	Dungs MBC	Air Switch	Huba
Ignition Control	Fenwal	Flow Sensor	SIKA
Operating Control	HeatNet®	Blocked Flue Switch	Cleveland NS2
High Limit	Jumo	Blower Motor	Ametek
Relief Valve	3/4" x 3/4" set @ 50 psi	L.W.C.O.	800

A.S.M.E.

ASME Sect IV Fire Side Htg Surface	55.31 Sq. Ft. / 5.13 Sq. M.	Design Data	Max. 160 psig & 210°F
ASME Sect IV Water Side Htg Surface	77.72 Sq. Ft. / 7.22 Sq. M.	Water Volume	13.4 gal. / 50.7 Liters

* Add circulator amps.

BOILER TEMPERATURE RISE / PRESSURE DROP (Based on Full Input)

20°F / 11.1°C				30°F / 16.7°C				40°F / 22.2°C				50°F / 27.8°C				60°F / 33.3°C			
Flow Rate		Pressure Drop		Flow Rate		Pressure Drop		Flow Rate		Pressure Drop		Flow Rate		Pressure Drop		Flow Rate		Pressure Drop	
GPM	L/s	Ft	kPa	GPM	L/s	Ft	kPa	GPM	L/s	Ft	kPa	GPM	L/s	Ft	kPa	GPM	L/s	Ft	kPa
39.2	2.5	3.6	10.9	26.1	1.6	2.9	8.6	19.6	1.2	2.6	7.7	15.7	1.0	2.4	7.2	13.1	0.8	2.3	6.8

Flow GPM				Temp. Rise** (°F)				Vent Length (Equiv. Ft.)				Air Inlet Length (Equiv. Ft.)			
Min		Max		Min		Max		Min		Max		Min		Max	
13.1		39.2		20		60		6		100		0		100	

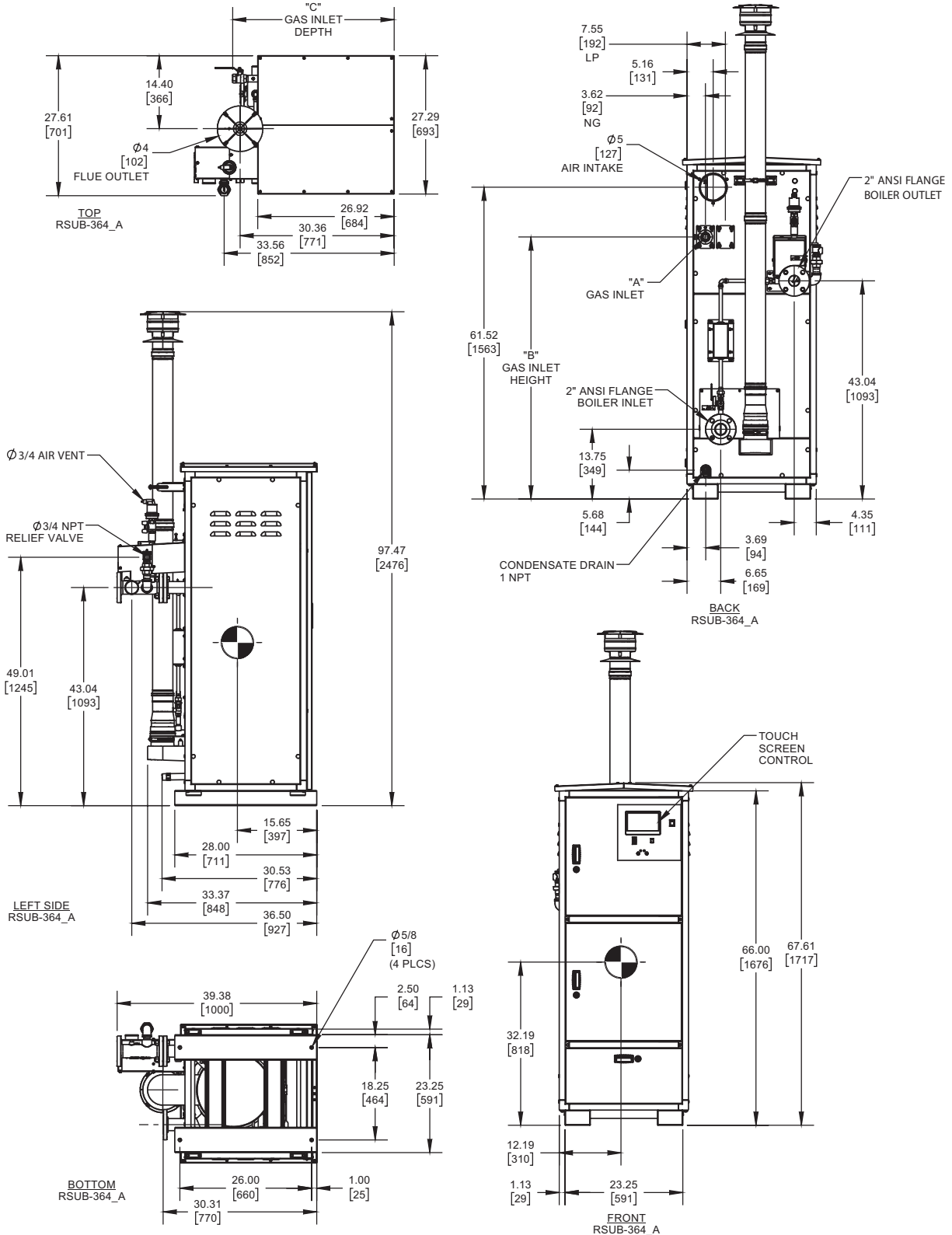
** Min/Max delta t reflects boiler operation at full input. For applications requiring operation above/below these parameters please consult factory.

<p>REP FIRM _____</p> <p>SUBMITTED BY _____</p> <p>JOB NAME _____</p> <p>ARCHITECT _____</p> <p>ENGINEER _____</p> <p>CONTRACTOR _____</p> <p>DATE _____</p>	<div style="background-color: black; color: white; padding: 5px; font-weight: bold; font-size: 1.2em;">ENCORE 400</div> <p>Category II or Category IV Appliance (see Installation and Operation Manual for venting information)</p> <div style="text-align: center;">  <p>RBI® A Division of Mestek, Inc. Westfield, MA 01085 (413) 564-5515</p> <p>RELIABLE. BOLD. INNOVATIVE.</p> </div>
---	--

ENCORE 400

Category II or Category IV Appliance
(see Installation and Operation Manual for venting information)

OUTDOOR UNIT



GAS OPTION	"A"	"B"	kPa
NG	1 NPT	51.70	31.82
LP	3/4 NPT	51.70	31.91

- Notes:**
1. Dimensions are approximate and should not be used to "rough-in" equipment.
 2. Dimensions are subject to change without notice.
 3. All dimensions are in inches (mm).
 4. Symbol indicates center of gravity.

BOILER CERTIFIED RATINGS & CAPACITIES

Fuel Type	Natural/Propane Gas	Boiler FLA	11.2*
Input BTU/hr.	399,000 / 117 KW	Boiler HP	11.7
Output BTU/hr.	391,818 / 115 KW	Min. Gas Pressure Required	4" W.C.
Electrical Requirements	120 VAC/60 Hz/1PH (with neutral)	Max. Gas Pressure Allowed	14" W.C.
		Operating Weight	612 lbs. / 277.6 kg.

BOILER TRIM & CONTROLS

Main Gas Valve	Dungs MBC	Air Switch	Huba
Ignition Control	Fenwal	Flow Sensor	SIKA
Operating Control	HeatNet®	Blocked Flue Switch	Cleveland NS2
High Limit	Jumo	Blower Motor	Ametek
Relief Valve	3/4" x 3/4" set @ 50 psi	L.W.C.O.	800

A.S.M.E.

ASME Sect IV Fire Side Htg Surface	55.31 Sq. Ft. / 5.13 Sq. M.	Design Data	Max. 160 psig & 210°F
		Water Volume	13.4 gal. / 50.7 Liters
ASME Sect IV Water Side Htg Surface	77.72 Sq. Ft. / 7.22 Sq. M.		

* Add circulator amps.

BOILER TEMPERATURE RISE / PRESSURE DROP (Based on Full Input)

20°F / 11.1°C				30°F / 16.7°C				40°F / 22.2°C				50°F / 27.8°C				60°F / 33.3°C			
Flow Rate		Pressure Drop		Flow Rate		Pressure Drop		Flow Rate		Pressure Drop		Flow Rate		Pressure Drop		Flow Rate		Pressure Drop	
GPM	L/s	Ft	kPa	GPM	L/s	Ft	kPa	GPM	L/s	Ft	kPa	GPM	L/s	Ft	kPa	GPM	L/s	Ft	kPa
39.2	2.5	3.6	10.9	26.1	1.6	2.9	8.6	19.6	1.2	2.6	7.7	15.7	1.0	2.4	7.2	13.1	0.8	2.3	6.8

Flow GPM				Temp. Rise** (°F)				Vent Length (Equiv. Ft.)				Air Inlet Length (Equiv. Ft.)			
Min		Max		Min		Max		Min		Max		Min		Max	
13.1		39.2		20		60		6		100		0		100	

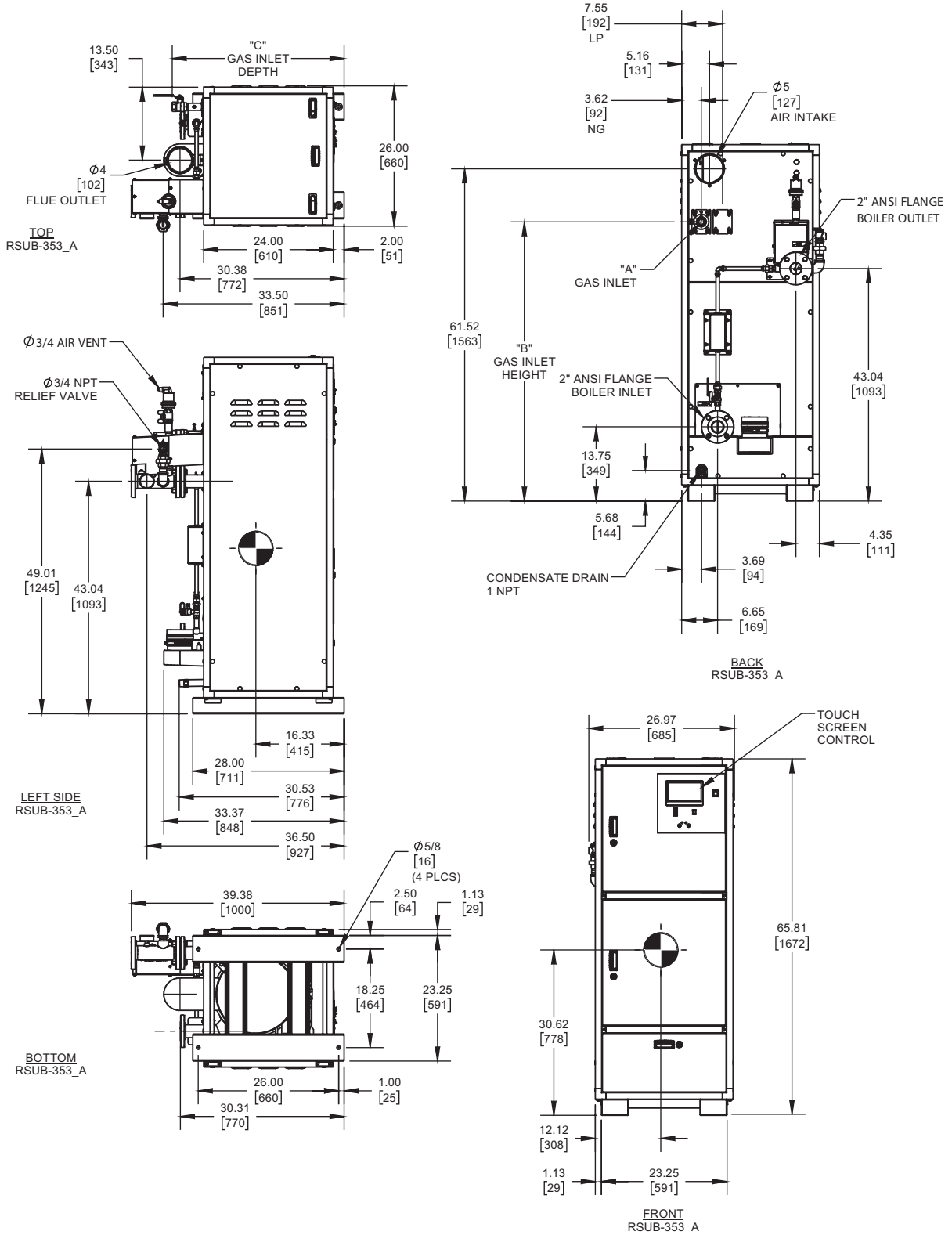
** Min/Max delta t reflects boiler operation at full input. For applications requiring operation above/below these parameters please consult factory.

REP FIRM	_____	<h1 style="margin: 0;">ENCORE 400</h1> <p style="margin: 5px 0;">Category II or Category IV Appliance (see Installation and Operation Manual for venting information)</p>  <p style="margin: 0;">A Division of Mestek, Inc. Westfield, MA 01085 (413) 564-5515</p> <p style="margin: 0; font-size: small;">RELIABLE. BOLD. INNOVATIVE.</p>
SUBMITTED BY	_____	
JOB NAME	_____	
ARCHITECT	_____	
ENGINEER	_____	
CONTRACTOR	_____	
DATE	_____	

ENCORE 500

Category II or Category IV Appliance
(see Installation and Operation Manual for venting information)

INDOOR UNIT



GAS OPTION	"A"	"B"	kPa
NG	1 NPT	51.70	31.82
LP	3/4 NPT	51.70	31.91

Notes:

1. Dimensions are approximate and should not be used to "rough-in" equipment.
2. Dimensions are subject to change without notice.
3. All dimensions are in inches [mm].
4. Symbol indicates center of gravity.

BOILER CERTIFIED RATINGS & CAPACITIES

Fuel Type	Natural/Propane Gas	Boiler FLA	11.2*
Input BTU/hr.	500,000 / 147 KW	Boiler HP	14.6
Output BTU/hr.	490,000 / 144 KW	Min. Gas Pressure Required	4" W.C.
Electrical Requirements	120 VAC/60 Hz/1PH (with neutral)	Max. Gas Pressure Allowed	14" W.C.
		Operating Weight	633 lbs. / 287.1 kg.

BOILER TRIM & CONTROLS

Main Gas Valve	Dungs MBC	Air Switch	Huba
Ignition Control	Fenwal	Flow Sensor	SIKA
Operating Control	HeatNet®	Blocked Flue Switch	Cleveland NS2
High Limit	Jumo	Blower Motor	Ametek
Relief Valve	3/4" x 3/4" set @ 50 psi	L.W.C.O.	800

A.S.M.E.

ASME Sect IV Fire Side Htg Surface	72.91 Sq. Ft. / 6.77 Sq. M.	Design Data	Max. 160 psig & 210°F
		Water Volume	12.4 gal. / 46.9 Liters
ASME Sect IV Water Side Htg Surface	95.8 Sq. Ft. / 8.90 Sq. M.		

* Add circulator amps.

BOILER TEMPERATURE RISE / PRESSURE DROP (Based on Full Input)

20°F / 11.1°C				30°F / 16.7°C				40°F / 22.2°C				50°F / 27.8°C				60°F / 33.3°C			
Flow Rate		Pressure Drop		Flow Rate		Pressure Drop		Flow Rate		Pressure Drop		Flow Rate		Pressure Drop		Flow Rate		Pressure Drop	
GPM	L/s	Ft	kPa	GPM	L/s	Ft	kPa	GPM	L/s	Ft	kPa	GPM	L/s	Ft	kPa	GPM	L/s	Ft	kPa
49.0	3.1	4.3	12.9	32.7	2.1	3.2	9.7	24.5	1.5	2.8	8.4	19.6	1.2	2.6	7.7	16.3	1.0	2.4	7.2

Flow GPM				Temp. Rise** (°F)				Vent Length (Equiv. Ft.)				Air Inlet Length (Equiv. Ft.)			
Min		Max		Min		Max		Min		Max		Min		Max	
16.3		49.0		20		60		6		100		0		100	

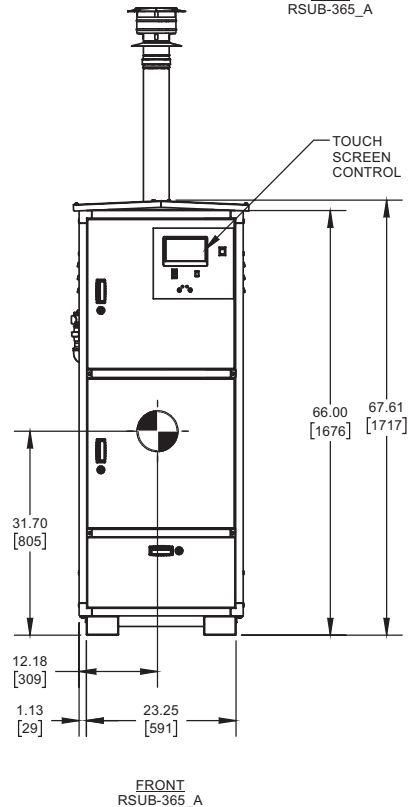
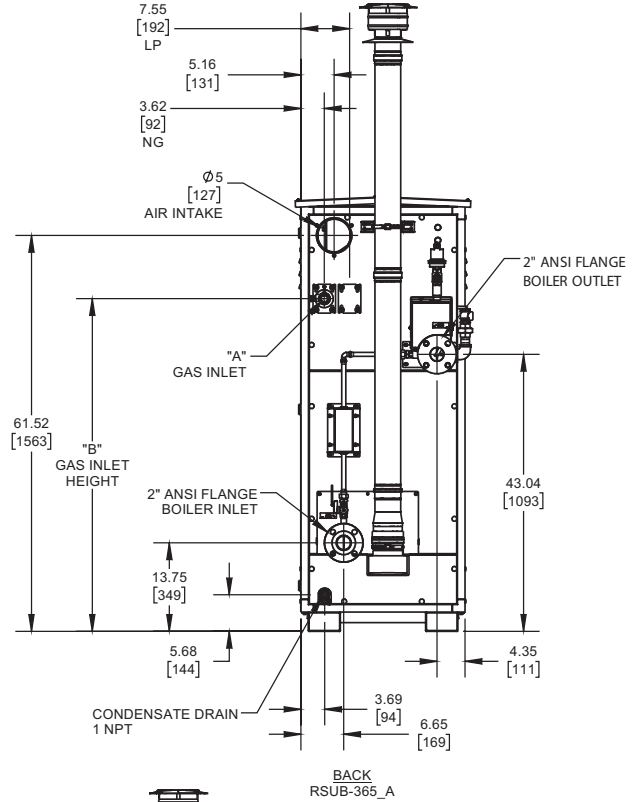
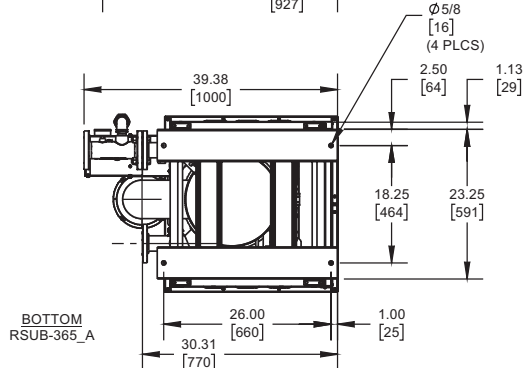
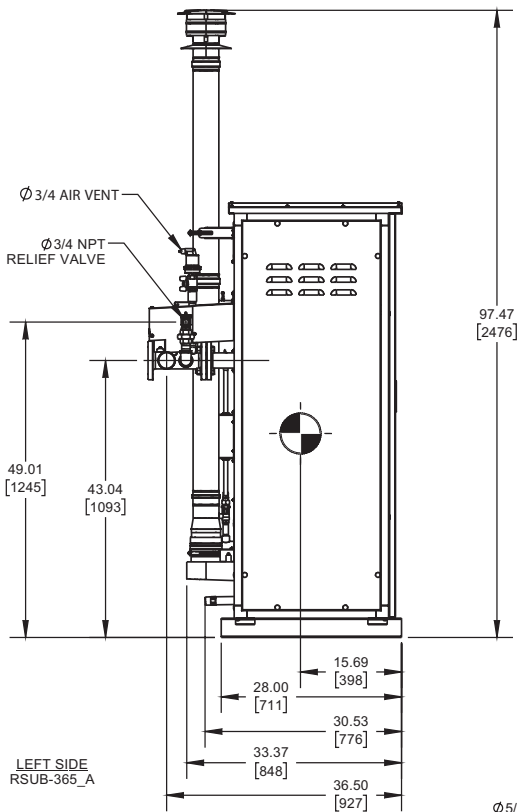
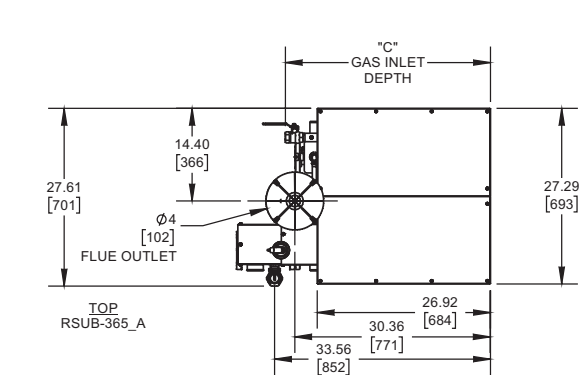
** Min/Max delta t reflects boiler operation at full input. For applications requiring operation above/below these parameters please consult factory.

REP FIRM	_____	<div style="background-color: black; color: white; padding: 10px; font-weight: bold; font-size: 24px; margin-bottom: 10px;">ENCORE 500</div> <p>Category II or Category IV Appliance (see Installation and Operation Manual for venting information)</p>  <p>RBI® A Division of Mestek, Inc. Westfield, MA 01085 (413) 564-5515 <small>RELIABLE. BOLD. INNOVATIVE.</small></p>
SUBMITTED BY	_____	
JOB NAME	_____	
ARCHITECT	_____	
ENGINEER	_____	
CONTRACTOR	_____	
DATE	_____	

ENCORE 500


Category II or Category IV Appliance
(see Installation and Operation Manual for venting information)

OUTDOOR UNIT



GAS OPTION	"A"	"B"	kPa
NG	1 NPT	51.70	31.82
LP	3/4 NPT	51.70	31.91

Notes:

1. Dimensions are approximate and should not be used to "rough-in" equipment.
2. Dimensions are subject to change without notice.
3. All dimensions are in inches (mm).
4.  Symbol indicates center of gravity.

BOILER CERTIFIED RATINGS & CAPACITIES

Fuel Type	Natural/Propane Gas	Boiler FLA	11.2*
Input BTU/hr.	500,000 / 147 KW	Boiler HP	14.6
Output BTU/hr.	490,000 / 144 KW	Min. Gas Pressure Required	4" W.C.
Electrical Requirements	120 VAC/60 Hz/1PH (with neutral)	Max. Gas Pressure Allowed	14" W.C.
		Operating Weight	633 lbs. / 287.1 kg.

BOILER TRIM & CONTROLS

Main Gas Valve	Dungs MBC	Air Switch	Huba
Ignition Control	Fenwal	Flow Sensor	SIKA
Operating Control	HeatNet®	Blocked Flue Switch	Cleveland NS2
High Limit	Jumo	Blower Motor	Ametek
Relief Valve	3/4" x 3/4" set @ 50 psi	L.W.C.O.	800

A.S.M.E.

ASME Sect IV Fire Side Htg Surface	72.91 Sq. Ft. / 6.77 Sq. M.	Design Data	Max. 160 psig & 210°F
		Water Volume	12.4 gal. / 46.9 Liters
ASME Sect IV Water Side Htg Surface	95.8 Sq. Ft. / 8.90 Sq. M.		

* Add circulator amps.

BOILER TEMPERATURE RISE / PRESSURE DROP (Based on Full Input)

20°F / 11.1°C				30°F / 16.7°C				40°F / 22.2°C				50°F / 27.8°C				60°F / 33.3°C			
Flow Rate		Pressure Drop		Flow Rate		Pressure Drop		Flow Rate		Pressure Drop		Flow Rate		Pressure Drop		Flow Rate		Pressure Drop	
GPM	L/s	Ft	kPa	GPM	L/s	Ft	kPa	GPM	L/s	Ft	kPa	GPM	L/s	Ft	kPa	GPM	L/s	Ft	kPa
49.0	3.1	4.3	12.9	32.7	2.1	3.2	9.7	24.5	1.5	2.8	8.4	19.6	1.2	2.6	7.7	16.3	1.0	2.4	7.2

Flow GPM				Temp. Rise** (°F)				Vent Length (Equiv. Ft.)				Air Inlet Length (Equiv. Ft.)			
Min		Max		Min		Max		Min		Max		Min		Max	
16.3		49.0		20		60		6		100		0		100	

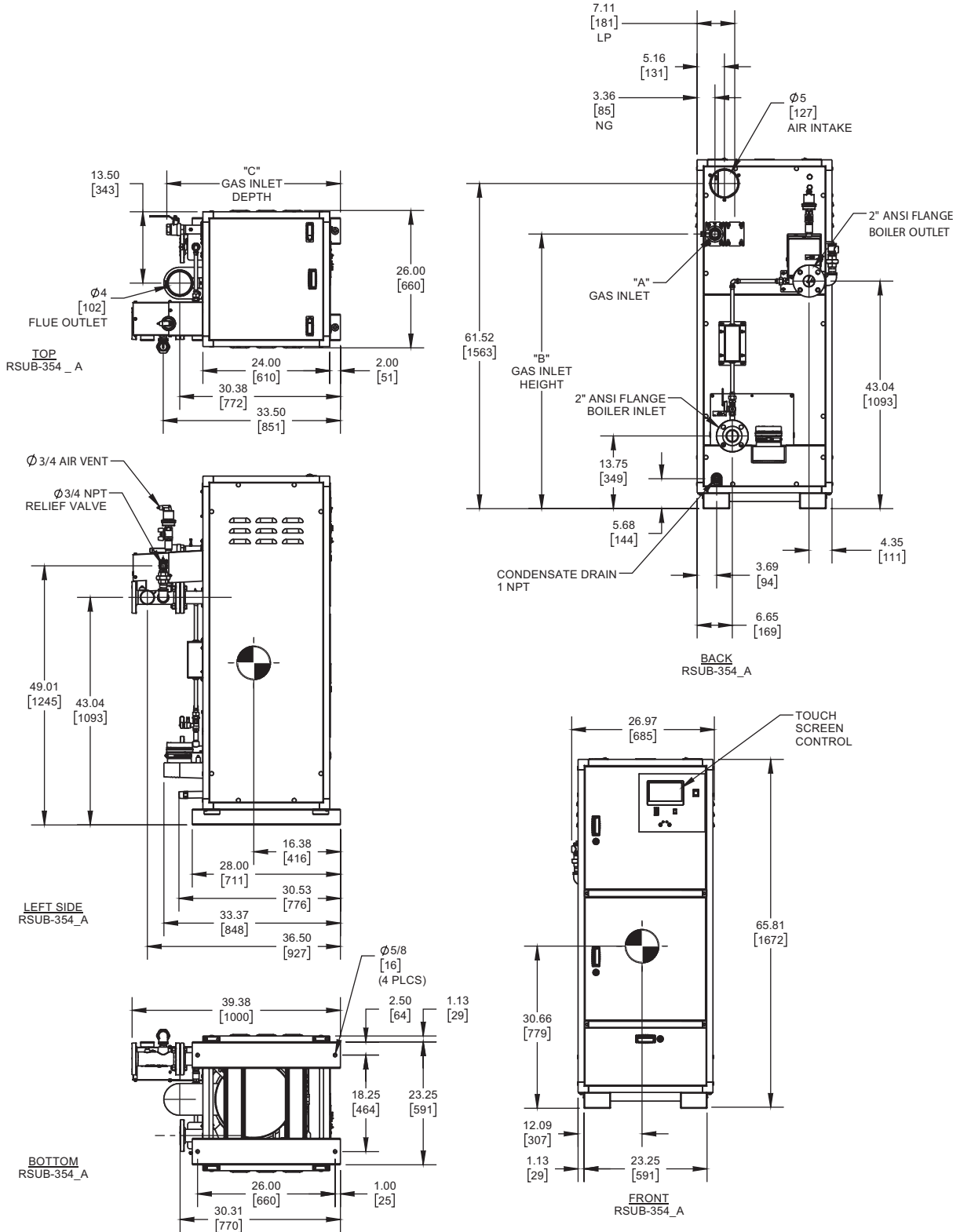
** Min/Max delta t reflects boiler operation at full input. For applications requiring operation above/below these parameters please consult factory.

<p>REP FIRM _____</p> <p>SUBMITTED BY _____</p> <p>JOB NAME _____</p> <p>ARCHITECT _____</p> <p>ENGINEER _____</p> <p>CONTRACTOR _____</p> <p>DATE _____</p>	<div style="background-color: black; color: white; padding: 5px; font-weight: bold; font-size: 1.2em;">ENCORE 500</div> <p>Category II or Category IV Appliance (see Installation and Operation Manual for venting information)</p> <div style="text-align: center;">  <p>RBI® A Division of Mestek, Inc. Westfield, MA 01085 (413) 564-5515</p> <p>RELIABLE. BOLD. INNOVATIVE.</p> </div>
---	--

ENCORE 600

Category II or Category IV Appliance
(see Installation and Operation Manual for venting information)

INDOOR UNIT



GAS OPTION	"A"	"B"	kPa
NG	1-1/4 NPT	51.95	32.83
LP	3/4 NPT	51.95	32.84

Notes:

1. Dimensions are approximate and should not be used to "rough-in" equipment.
2. Dimensions are subject to change without notice.
3. All dimensions are in inches [mm].
4. Symbol indicates center of gravity.

BOILER CERTIFIED RATINGS & CAPACITIES

Fuel Type	Natural/Propane Gas	Boiler FLA	17.1 *
Input BTU/hr.	600,000 / 176 KW	Boiler HP	17.5
Output BTU/hr.	586,800 / 172 KW	Min. Gas Pressure Required	4" W.C.
Electrical Requirements	120 VAC/60 Hz/1PH (with neutral)	Max. Gas Pressure Allowed	14" W.C.
		Operating Weight	633 lbs. / 287.1 kg.

BOILER TRIM & CONTROLS

Main Gas Valve	Dungs MBC	Air Switch	Huba
Ignition Control	Fenwal	Flow Sensor	SIKA
Operating Control	HeatNet®	Blocked Flue Switch	Cleveland NS2
High Limit	Jumo	Blower Motor	Ametek
Relief Valve	3/4" x 3/4" set @ 50 psi	L.W.C.O.	800

A.S.M.E.

ASME Sect IV Fire Side Htg Surface	72.91 Sq. Ft. / 6.77 Sq. M.	Design Data	Max. 160 psig & 210°F
		Water Volume	12.4 gal. / 46.9 Liters
ASME Sect IV Water Side Htg Surface	95.8 Sq. Ft. / 8.90 Sq. M.		

* Add circulator amps.

BOILER TEMPERATURE RISE / PRESSURE DROP (Based on Full Input)

20°F / 11.1°C				30°F / 16.7°C				40°F / 22.2°C				50°F / 27.8°C				60°F / 33.3°C			
Flow Rate		Pressure Drop		Flow Rate		Pressure Drop		Flow Rate		Pressure Drop		Flow Rate		Pressure Drop		Flow Rate		Pressure Drop	
GPM	L/s	Ft	kPa	GPM	L/s	Ft	kPa	GPM	L/s	Ft	kPa	GPM	L/s	Ft	kPa	GPM	L/s	Ft	kPa
58.7	3.7	4.2	12.7	39.1	2.5	3.3	9.9	29.4	1.9	2.9	8.8	23.5	1.5	2.7	8.2	19.6	1.2	2.6	7.8

Flow GPM				Temp. Rise** (°F)				Vent Length (Equiv. Ft.)				Air Inlet Length (Equiv. Ft.)			
Min		Max		Min		Max		Min		Max		Min		Max	
19.6		58.7		20		60		6		100		0		100	

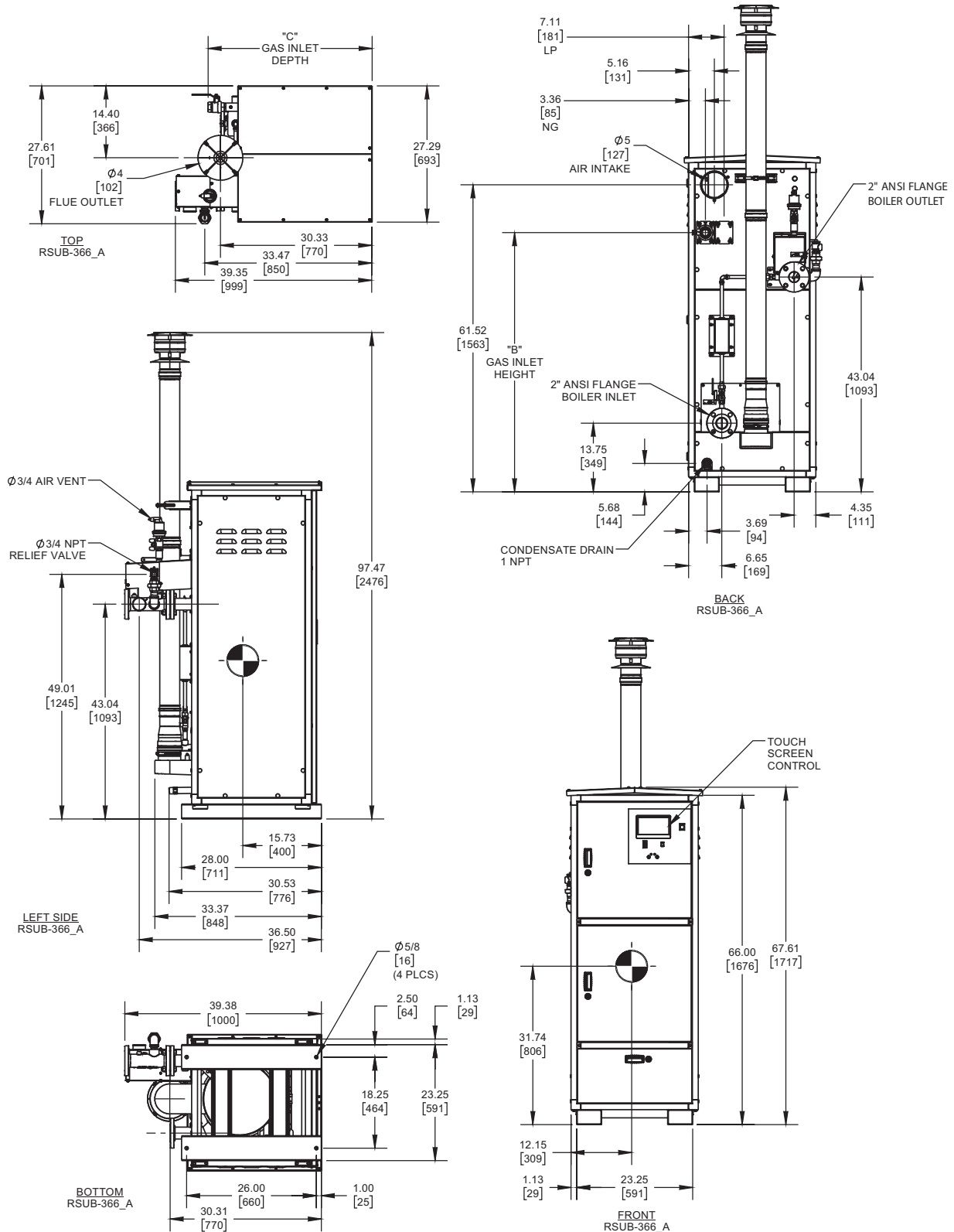
** Min/Max delta t reflects boiler operation at full input. For applications requiring operation above/below these parameters please consult factory.

<p>REP FIRM _____</p> <p>SUBMITTED BY _____</p> <p>JOB NAME _____</p> <p>ARCHITECT _____</p> <p>ENGINEER _____</p> <p>CONTRACTOR _____</p> <p>DATE _____</p>	<div style="background-color: black; color: white; padding: 5px; font-weight: bold; font-size: 1.2em;">ENCORE 600</div> <p>Category II or Category IV Appliance (see Installation and Operation Manual for venting information)</p> <div style="text-align: center;">  <p>RBI® A Division of Mestek, Inc. Westfield, MA 01085 (413) 564-5515</p> <p>RELIABLE. BOLD. INNOVATIVE.</p> </div>
---	--

ENCORE 600


Category II or Category IV Appliance
(see Installation and Operation Manual for venting information)

OUTDOOR UNIT



GAS OPTION	"A"	"B"	kPa
NG	1-1/4 NPT	51.95	32.83
LP	3/4 NPT	51.95	32.84

Notes:

1. Dimensions are approximate and should not be used to "rough-in" equipment.
2. Dimensions are subject to change without notice.
3. All dimensions are in inches (mm).
4.  Symbol indicates center of gravity.

BOILER CERTIFIED RATINGS & CAPACITIES

Fuel Type	Natural/Propane Gas	Boiler FLA	17.1 *
Input BTU/hr.	600,000 / 176 KW	Boiler HP	17.5
Output BTU/hr.	585,600 / 172 KW	Min. Gas Pressure Required	4" W.C.
Electrical Requirements	120 VAC/60 Hz/1PH (with neutral)	Max. Gas Pressure Allowed	14" W.C.
		Operating Weight	612 lbs. / 277.6 kg.

BOILER TRIM & CONTROLS

Main Gas Valve	Dungs MBC	Air Switch	Huba
Ignition Control	Fenwal	Flow Sensor	SIKA
Operating Control	HeatNet®	Blocked Flue Switch	Cleveland NS2
High Limit	Jumo	Blower Motor	Ametek
Relief Valve	3/4" x 3/4" set @ 50 psi	L.W.C.O.	800

A.S.M.E.

ASME Sect IV Fire Side Htg Surface	72.91 Sq. Ft. / 6.77 Sq. M.	Design Data	Max. 160 psig & 210°F
ASME Sect IV Water Side Htg Surface	95.8 Sq. Ft. / 8.90 Sq. M.	Water Volume	12.4 gal. / 46.9 Liters


* Add circulator amps.

BOILER TEMPERATURE RISE / PRESSURE DROP (Based on Full Input)

20°F / 11.1°C				30°F / 16.7°C				40°F / 22.2°C				50°F / 27.8°C				60°F / 33.3°C			
Flow Rate		Pressure Drop		Flow Rate		Pressure Drop		Flow Rate		Pressure Drop		Flow Rate		Pressure Drop		Flow Rate		Pressure Drop	
GPM	L/s	Ft	kPa	GPM	L/s	Ft	kPa	GPM	L/s	Ft	kPa	GPM	L/s	Ft	kPa	GPM	L/s	Ft	kPa
58.6	3.7	4.2	12.7	39.1	2.5	3.3	9.9	29.3	1.8	2.9	8.8	23.4	1.5	2.7	8.2	19.5	1.2	2.6	7.8

Flow GPM				Temp. Rise** (°F)				Vent Length (Equiv. Ft.)				Air Inlet Length (Equiv. Ft.)			
Min		Max		Min		Max		Min		Max		Min		Max	
19.5		58.6		20		60		6		100		0		100	

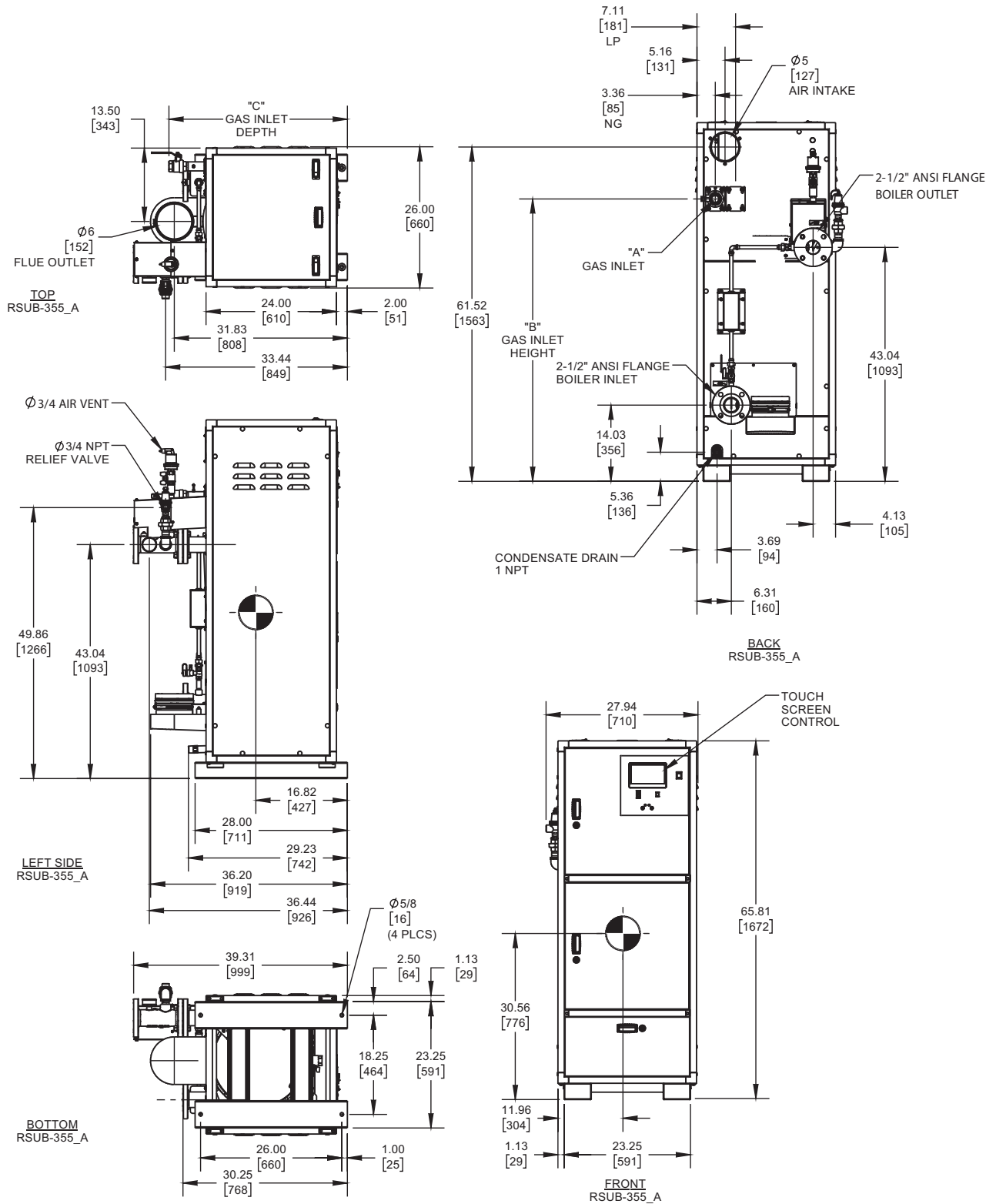
** Min/Max delta t reflects boiler operation at full input. For applications requiring operation above/below these parameters please consult factory.

<p>REP FIRM _____</p> <p>SUBMITTED BY _____</p> <p>JOB NAME _____</p> <p>ARCHITECT _____</p> <p>ENGINEER _____</p> <p>CONTRACTOR _____</p> <p>DATE _____</p>	<div style="background-color: black; color: white; padding: 5px; font-weight: bold; font-size: 1.2em;">ENCORE 600</div> <p>Category II or Category IV Appliance (see Installation and Operation Manual for venting information)</p> <div style="text-align: center;">  <p>RBI® A Division of Mestek, Inc. Westfield, MA 01085 (413) 564-5515</p> <p>RELIABLE. BOLD. INNOVATIVE.</p> </div>
---	--

ENCORE 725

Category II or Category IV Appliance
(see Installation and Operation Manual for venting information)

INDOOR UNIT



GAS OPTION	"A"	"B"	kPa
NG	1-1/4 NPT	51.96	32.83
LP	3/4 NPT	51.96	32.84

Notes:

1. Dimensions are approximate and should not be used to "rough-in" equipment.
2. Dimensions are subject to change without notice.
3. All dimensions are in inches [mm].
4. Symbol indicates center of gravity.

BOILER CERTIFIED RATINGS & CAPACITIES

Fuel Type	Natural/Propane Gas	Boiler FLA	17.1 *
Input BTU/hr.	725,000 / 212 KW	Boiler HP	21.1
Output BTU/hr.	707,600 / 207 KW	Min. Gas Pressure Required	4" W.C.
Electrical Requirements	120 VAC/60 Hz/1PH (with neutral)	Max. Gas Pressure Allowed	14" W.C.
		Operating Weight	725 lbs. / 328.9 kg.

BOILER TRIM & CONTROLS

Main Gas Valve	Dungs MBC	Air Switch	Huba
Ignition Control	Fenwal	Flow Sensor	SIKA
Operating Control	HeatNet®	Blocked Flue Switch	Cleveland NS2
High Limit	Jumo	Blower Motor	Ametek
Relief Valve	3/4" x 3/4" set @ 50 psi	L.W.C.O.	800

A.S.M.E.

ASME Sect IV Fire Side Htg Surface	84.6 Sq. Ft. / 7.85 Sq. M.	Design Data	Max. 160 psig & 210°F
ASME Sect IV Water Side Htg Surface	112.16 Sq. Ft. / 10.42 Sq. M.	Water Volume	17.4 gal. / 65.8 Liters

* Add circulator amps.

BOILER TEMPERATURE RISE / PRESSURE DROP (Based on Full Input)

20°F / 11.1°C				30°F / 16.7°C				40°F / 22.2°C				50°F / 27.8°C				60°F / 33.3°C			
Flow Rate		Pressure Drop		Flow Rate		Pressure Drop		Flow Rate		Pressure Drop		Flow Rate		Pressure Drop		Flow Rate		Pressure Drop	
GPM	L/s	Ft	kPa	GPM	L/s	Ft	kPa	GPM	L/s	Ft	kPa	GPM	L/s	Ft	kPa	GPM	L/s	Ft	kPa
70.8	4.5	4.9	14.8	47.2	3.0	3.7	11.0	35.4	2.2	3.2	9.5	28.3	1.8	2.9	8.7	23.6	1.5	2.7	8.2

Flow GPM		Temp. Rise** (°F)		Vent Length (Equiv. Ft.)		Air Inlet Length (Equiv. Ft.)	
Min	Max	Min	Max	Min	Max	Min	Max
23.6	70.8	20	60	6	100	0	100

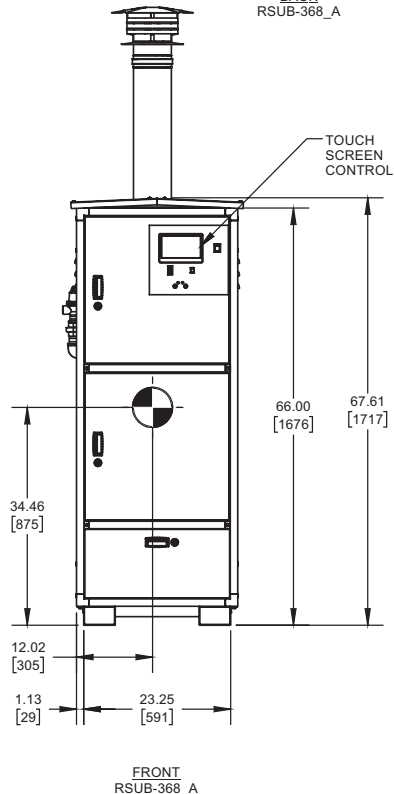
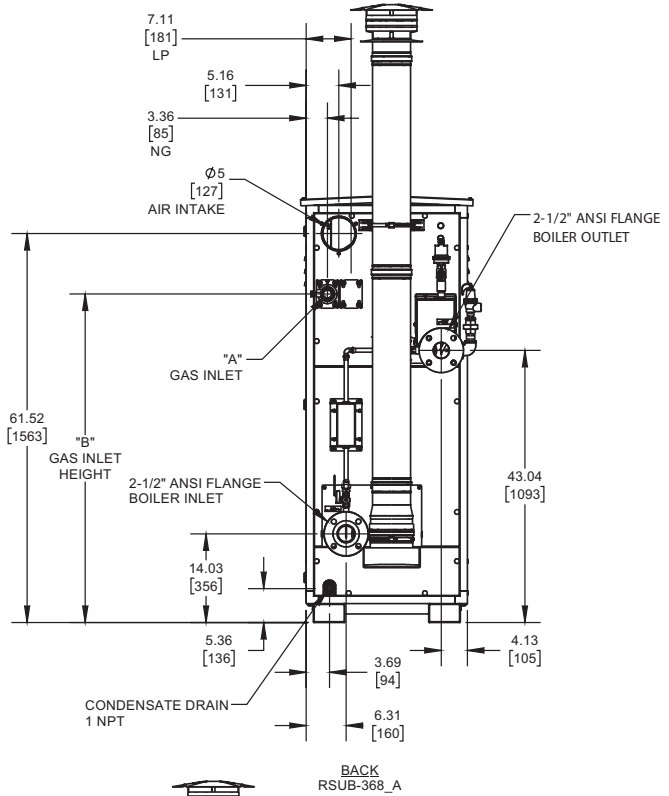
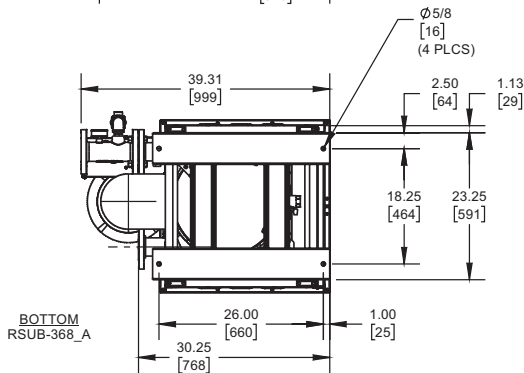
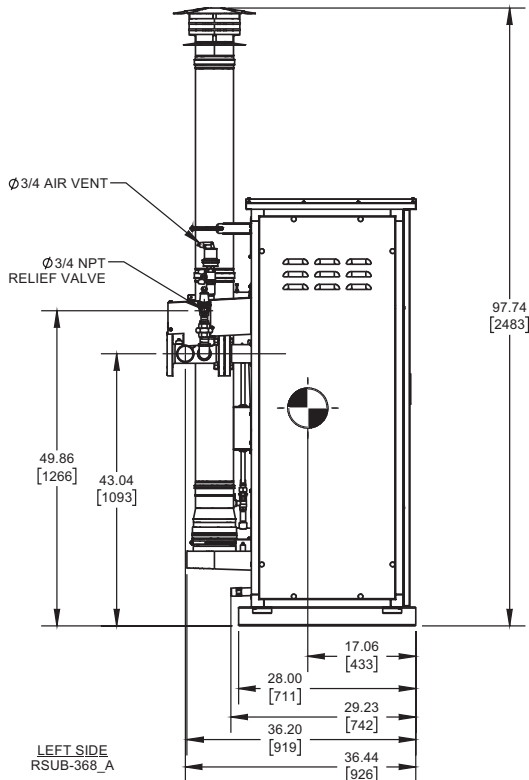
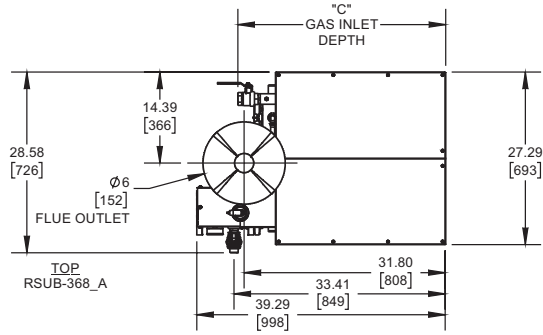
** Min/Max delta t reflects boiler operation at full input. For applications requiring operation above/below these parameters please consult factory.

REP FIRM	_____	<h1 style="margin: 0;">ENCORE 725</h1> <p style="margin: 5px 0;">Category II or Category IV Appliance (see Installation and Operation Manual for venting information)</p>  <p style="margin: 0;">A Division of Mestek, Inc. Westfield, MA 01085 (413) 564-5515</p> <p style="margin: 0; font-size: small;">RELIABLE. BOLD. INNOVATIVE.</p>
SUBMITTED BY	_____	
JOB NAME	_____	
ARCHITECT	_____	
ENGINEER	_____	
CONTRACTOR	_____	
DATE	_____	

ENCORE 725


Category II or Category IV Appliance
(see Installation and Operation Manual for venting information)

OUTDOOR UNIT



GAS OPTION	"A"	"B"	kPa
NG	1-1/4 NPT	51.95	32.83
LP	3/4 NPT	51.95	32.84

Notes:

1. Dimensions are approximate and should not be used to "rough-in" equipment.
2. Dimensions are subject to change without notice.
3. All dimensions are in inches (mm).
4.  Symbol indicates center of gravity.

BOILER CERTIFIED RATINGS & CAPACITIES

Fuel Type	Natural/Propane Gas	Boiler FLA	17.1 *
Input BTU/hr.	725,000 / 212 KW	Boiler HP	21.1
Output BTU/hr.	705,425 / 207 KW	Min. Gas Pressure Required	4" W.C.
Electrical Requirements	120 VAC/60 Hz/1PH (with neutral)	Max. Gas Pressure Allowed	14" W.C.
		Operating Weight	725 lbs. / 328.9 kg.

BOILER TRIM & CONTROLS

Main Gas Valve	Dungs MBC	Air Switch	Huba
Ignition Control	Fenwal	Flow Sensor	SIKA
Operating Control	HeatNet®	Blocked Flue Switch	Cleveland NS2
High Limit	Jumo	Blower Motor	Ametek
Relief Valve	3/4" x 3/4" set @ 50 psi	L.W.C.O.	800

A.S.M.E.

ASME Sect IV Fire Side Htg Surface	84.6 Sq. Ft. / 7.85 Sq. M.	Design Data	Max. 160 psig & 210°F
ASME Sect IV Water Side Htg Surface	112.16 Sq. Ft. / 10.42 Sq. M.	Water Volume	17.4 gal. / 65.8 Liters


* Add circulator amps.

BOILER TEMPERATURE RISE / PRESSURE DROP (Based on Full Input)

20°F / 11.1°C				30°F / 16.7°C				40°F / 22.2°C				50°F / 27.8°C				60°F / 33.3°C			
Flow Rate		Pressure Drop		Flow Rate		Pressure Drop		Flow Rate		Pressure Drop		Flow Rate		Pressure Drop		Flow Rate		Pressure Drop	
GPM	L/s	Ft	kPa	GPM	L/s	Ft	kPa	GPM	L/s	Ft	kPa	GPM	L/s	Ft	kPa	GPM	L/s	Ft	kPa
70.6	4.5	4.9	14.7	47.0	3.0	3.7	11.0	35.3	2.2	3.2	9.5	28.2	1.8	2.9	8.7	23.5	1.5	2.7	8.2

Flow GPM				Temp. Rise** (°F)				Vent Length (Equiv. Ft.)				Air Inlet Length (Equiv. Ft.)			
Min		Max		Min		Max		Min		Max		Min		Max	
23.5		70.6		20		60		6		100		0		100	

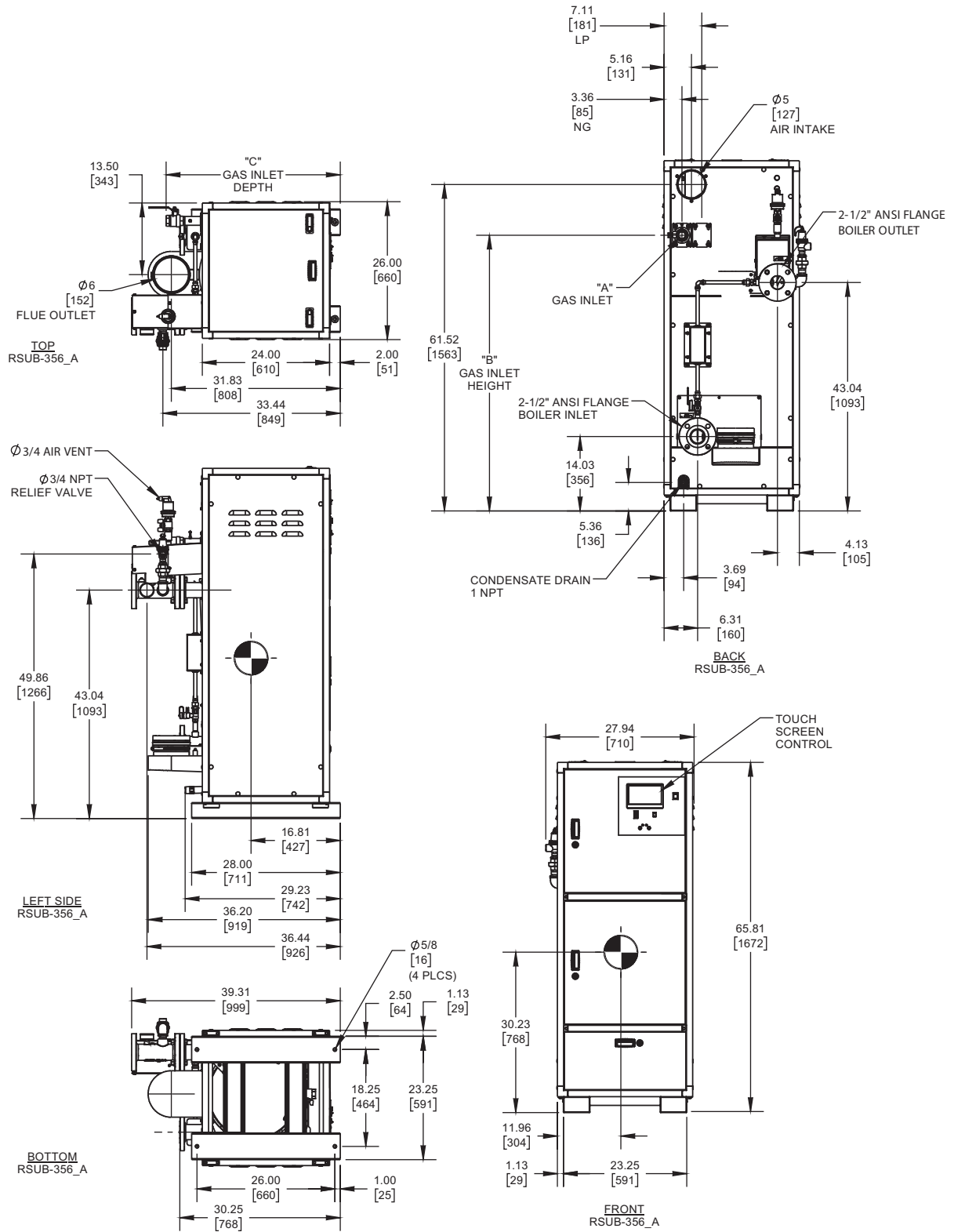
** Min/Max delta t reflects boiler operation at full input. For applications requiring operation above/below these parameters please consult factory.

<p>REP FIRM _____</p> <p>SUBMITTED BY _____</p> <p>JOB NAME _____</p> <p>ARCHITECT _____</p> <p>ENGINEER _____</p> <p>CONTRACTOR _____</p> <p>DATE _____</p>	<div style="background-color: black; color: white; padding: 5px; font-weight: bold; font-size: 1.2em;">ENCORE 725</div> <p>Category II or Category IV Appliance (see Installation and Operation Manual for venting information)</p> <div style="text-align: center;">  <p>RBI® A Division of Mestek, Inc. Westfield, MA 01085 (413) 564-5515</p> <p>RELIABLE. BOLD. INNOVATIVE.</p> </div>
---	--

ENCORE 850

Category II or Category IV Appliance
(see Installation and Operation Manual for venting information)

INDOOR UNIT



GAS OPTION	"A"	"B"	kPa
NG	1-1/4 NPT	51.96	32.83
LP	3/4 NPT	51.96	32.84

- Notes:**
1. Dimensions are approximate and should not be used to "rough-in" equipment.
 2. Dimensions are subject to change without notice.
 3. All dimensions are in inches [mm].
 4. Symbol indicates center of gravity.

BOILER CERTIFIED RATINGS & CAPACITIES

Fuel Type	Natural/Propane Gas	Boiler FLA	17.1 *
Input BTU/hr.	850,000 / 249 KW	Boiler HP	24.6
Output BTU/hr.	823,650 / 241 KW	Min. Gas Pressure Required	4" W.C.
Electrical Requirements	120 VAC/60 Hz/1PH (with neutral)	Max. Gas Pressure Allowed	14" W.C.
		Operating Weight	747 lbs. / 338.8 kg.

BOILER TRIM & CONTROLS

Main Gas Valve	Dungs MBC	Air Switch	Huba
Ignition Control	Fenwal	Flow Sensor	SIKA
Operating Control	HeatNet®	Blocked Flue Switch	Cleveland NS2
High Limit	Jumo	Blower Motor	Ametek
Relief Valve	3/4" x 3/4" set @ 50 psi	L.W.C.O.	800

A.S.M.E.

ASME Sect IV Fire Side Htg Surface	99.8 Sq. Ft. / 9.27 Sq. M.	Design Data	Max. 160 psig & 210°F
ASME Sect IV Water Side Htg Surface	127.87 Sq. Ft. / 11.88 Sq. M.	Water Volume	16.4 gal. / 62.1 Liters

* Add circulator amps.

BOILER TEMPERATURE RISE / PRESSURE DROP (Based on Full Input)

20°F / 11.1°C				30°F / 16.7°C				40°F / 22.2°C				50°F / 27.8°C				60°F / 33.3°C			
Flow Rate		Pressure Drop		Flow Rate		Pressure Drop		Flow Rate		Pressure Drop		Flow Rate		Pressure Drop		Flow Rate		Pressure Drop	
GPM	L/s	Ft	kPa	GPM	L/s	Ft	kPa	GPM	L/s	Ft	kPa	GPM	L/s	Ft	kPa	GPM	L/s	Ft	kPa
82.4	5.2	5.7	17.1	54.9	3.5	4.1	12.1	41.2	2.6	3.4	10.2	33.0	2.1	3.1	9.2	27.5	1.7	2.9	8.6

Flow GPM				Temp. Rise** (°F)				Vent Length (Equiv. Ft.)				Air Inlet Length (Equiv. Ft.)			
Min		Max		Min		Max		Min		Max		Min		Max	
27.5		82.4		20		60		6		100		0		100	

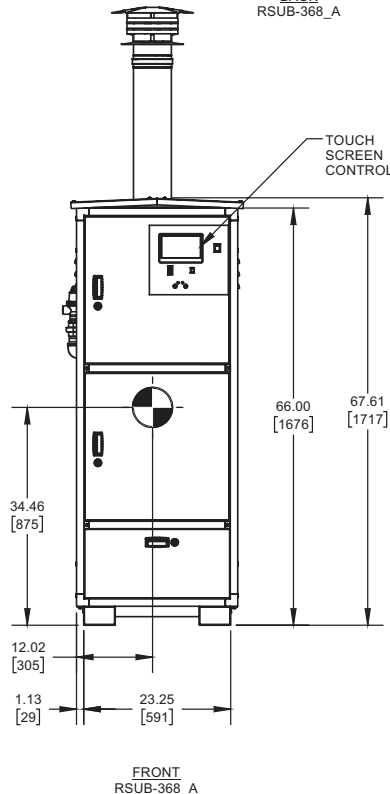
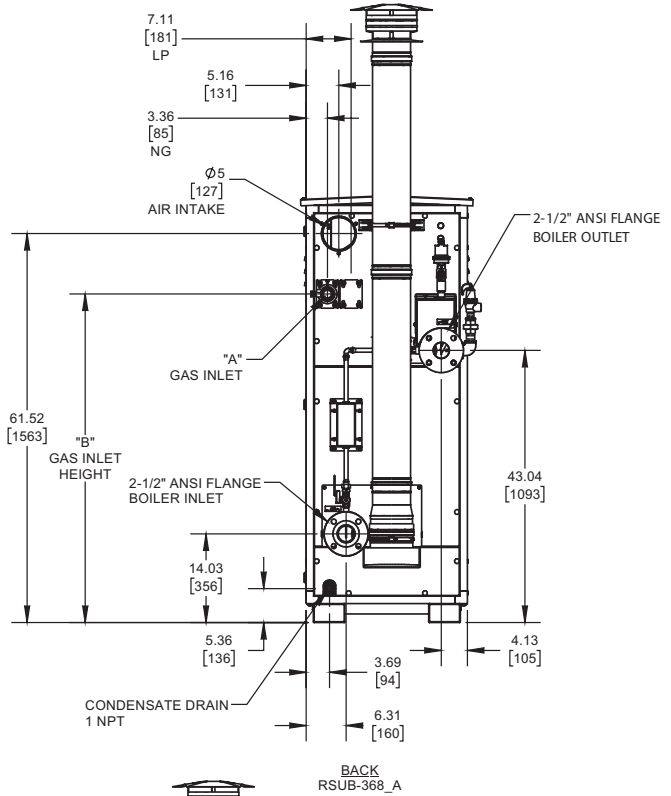
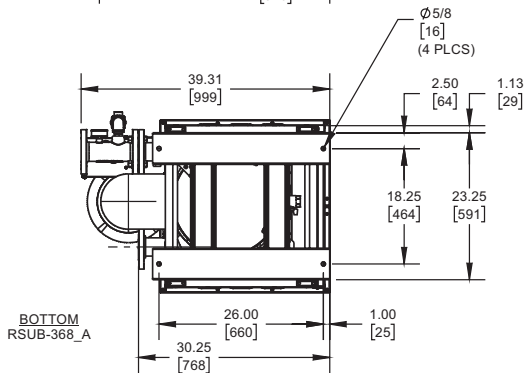
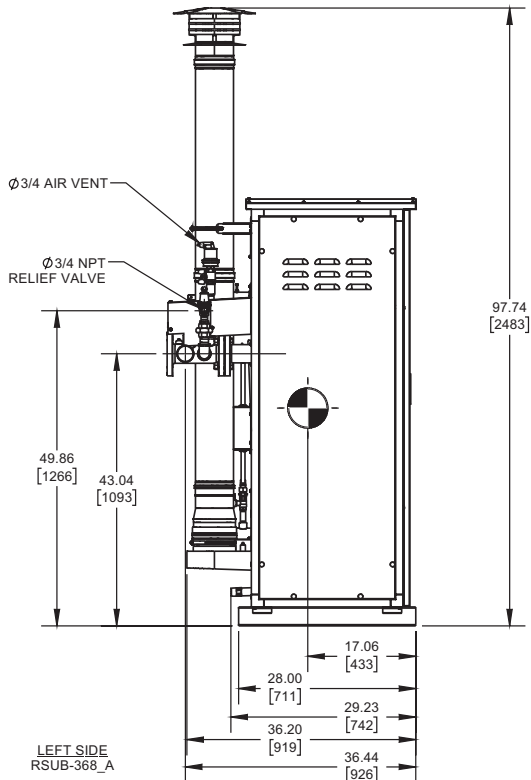
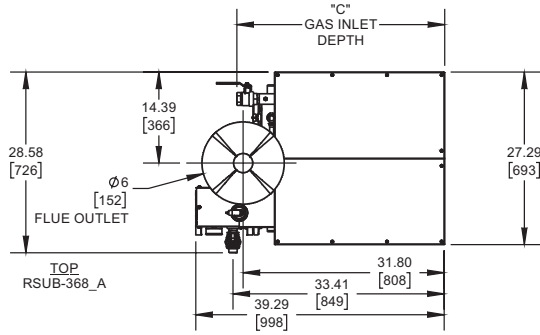
** Min/Max delta t reflects boiler operation at full input. For applications requiring operation above/below these parameters please consult factory.

<p>REP FIRM _____</p> <p>SUBMITTED BY _____</p> <p>JOB NAME _____</p> <p>ARCHITECT _____</p> <p>ENGINEER _____</p> <p>CONTRACTOR _____</p> <p>DATE _____</p>	<div style="background-color: black; color: white; padding: 5px; font-weight: bold; font-size: 1.2em;">ENCORE 850</div> <p>Category II or Category IV Appliance (see Installation and Operation Manual for venting information)</p> <div style="text-align: center;">  <p>RBI® A Division of Mestek, Inc. Westfield, MA 01085 (413) 564-5515</p> <p>RELIABLE. BOLD. INNOVATIVE.</p> </div>
---	--

ENCORE 850

Category II or Category IV Appliance
(see Installation and Operation Manual for venting information)

OUTDOOR UNIT



GAS OPTION	"A"	"B"	kPa
NG	1-1/4 NPT	51.95	32.83
LP	3/4 NPT	51.95	32.84

Notes:

1. Dimensions are approximate and should not be used to "rough-in" equipment.
2. Dimensions are subject to change without notice.
3. All dimensions are in inches (mm).
4. Symbol indicates center of gravity.

BOILER CERTIFIED RATINGS & CAPACITIES

Fuel Type	Natural/Propane Gas	Boiler FLA	17.1 *
Input BTU/hr.	850,000 / 249 KW	Boiler HP	24.5
Output BTU/hr.	820,250 / 241 KW	Min. Gas Pressure Required	4" W.C.
Electrical Requirements	120 VAC/60 Hz/1PH (with neutral)	Max. Gas Pressure Allowed	14" W.C.
		Operating Weight	747 lbs. / 338.8 kg.

BOILER TRIM & CONTROLS

Main Gas Valve	Dungs MBC	Air Switch	Huba
Ignition Control	Fenwal	Flow Sensor	SIKA
Operating Control	HeatNet®	Blocked Flue Switch	Cleveland NS2
High Limit	Jumo	Blower Motor	Ametek
Relief Valve	3/4" x 3/4" set @ 50 psi	L.W.C.O.	800

A.S.M.E.

ASME Sect IV Fire Side Htg Surface	99.8 Sq. Ft. / 9.27 Sq. M.	Design Data	Max. 160 psig & 210°F
		Water Volume	16.4 gal. / 62.1 Liters
ASME Sect IV Water Side Htg Surface	127.87 Sq. Ft. / 11.88 Sq. M.		

* Add circulator amps.

BOILER TEMPERATURE RISE / PRESSURE DROP (Based on Full Input)

20°F / 11.1°C				30°F / 16.7°C				40°F / 22.2°C				50°F / 27.8°C				60°F / 33.3°C			
Flow Rate		Pressure Drop		Flow Rate		Pressure Drop		Flow Rate		Pressure Drop		Flow Rate		Pressure Drop		Flow Rate		Pressure Drop	
GPM	L/s	Ft	kPa	GPM	L/s	Ft	kPa	GPM	L/s	Ft	kPa	GPM	L/s	Ft	kPa	GPM	L/s	Ft	kPa
82.1	5.2	5.7	17.0	54.7	3.5	4.0	12.1	41.0	2.6	3.4	10.2	32.8	2.1	3.1	9.2	27.4	1.7	2.9	8.6

Flow GPM				Temp. Rise** (°F)				Vent Length (Equiv. Ft.)				Air Inlet Length (Equiv. Ft.)			
Min		Max		Min		Max		Min		Max		Min		Max	
27.4		82.1		20		60		6		100		0		100	

** Min/Max delta t reflects boiler operation at full input. For applications requiring operation above/below these parameters please consult factory.

REP FIRM	_____	<h1 style="margin: 0;">ENCORE 850</h1> <p style="margin: 0;">Category II or Category IV Appliance (see Installation and Operation Manual for venting information)</p>  <p style="margin: 0;">RBI® A Division of Mestek, Inc. Westfield, MA 01085 (413) 564-5515</p> <p style="margin: 0; font-size: small;">RELIABLE. BOLD. INNOVATIVE.</p>
SUBMITTED BY	_____	
JOB NAME	_____	
ARCHITECT	_____	
ENGINEER	_____	
CONTRACTOR	_____	
DATE	_____	